



# KTR-STOP® Brake Systems

The efficient high-power brake

Made for Motion



[www.ktr.com](http://www.ktr.com)



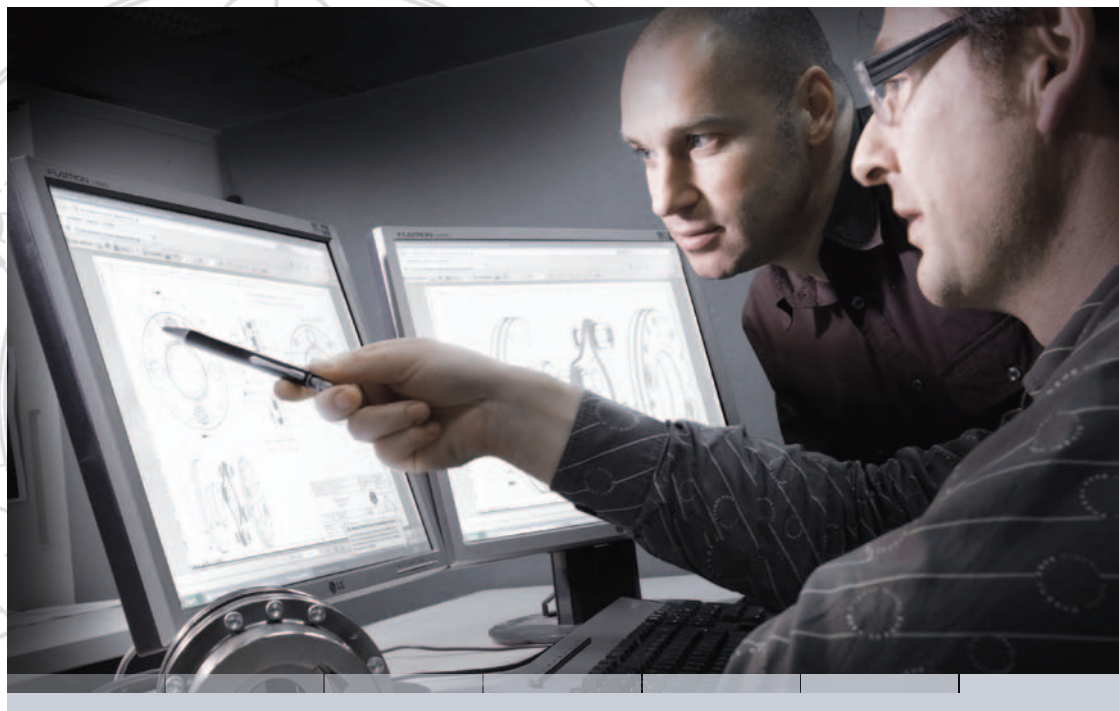
## If you want to set things in motion: KTR

### Competence meets creativity

As a leading manufacturer of high-quality drive and brake components, KTR supplies mechanical couplings, clamping sets, torque limiters, measuring systems, hydraulic components and high-power brakes all over the world. With more than 50 years experience in power transmission we are trendsetters in the development of coupling technology and offer customised solutions to all industries. The KTR trademark characterises quality and innovation, speed, reliability, flexibility and a close working relationship with customers.

Having started with the curved-tooth gear coupling BoWex® and the torsionally flexible jaw coupling ROTEX®, KTR has built up an extensive product portfolio covering torques from 0,1 to over 750.000 Nm. The production by KTR's in-house, up-to-date machinery ensures that the couplings are made to the utmost accuracy. The couplings having a unit weight of up to 2 tons. Flexible automation ensures a quick and low-cost production even if the product has to be customised to meet customers individual specifications. KTR produce several million couplings a year.

Even though KTR's standard product portfolio is quite extensive, it only represents a fraction of the different options available. KTR is not only a subcontractor but also a solution provider. The knowledge gained from thousands of applications in the field allows us to find optimum, low-cost solutions for customised applications. We will consult you during the planning stage providing drawings and prototypes or arranging for local discussions if required. Every year KTR produces more than 10.000 new products ordered by customers. This trend increases year on year. This leads to many special products becoming standard items: We permanently give vital ideas to the Power Transmission technology – in cooperation with our customers.



## Accuracy meets speed

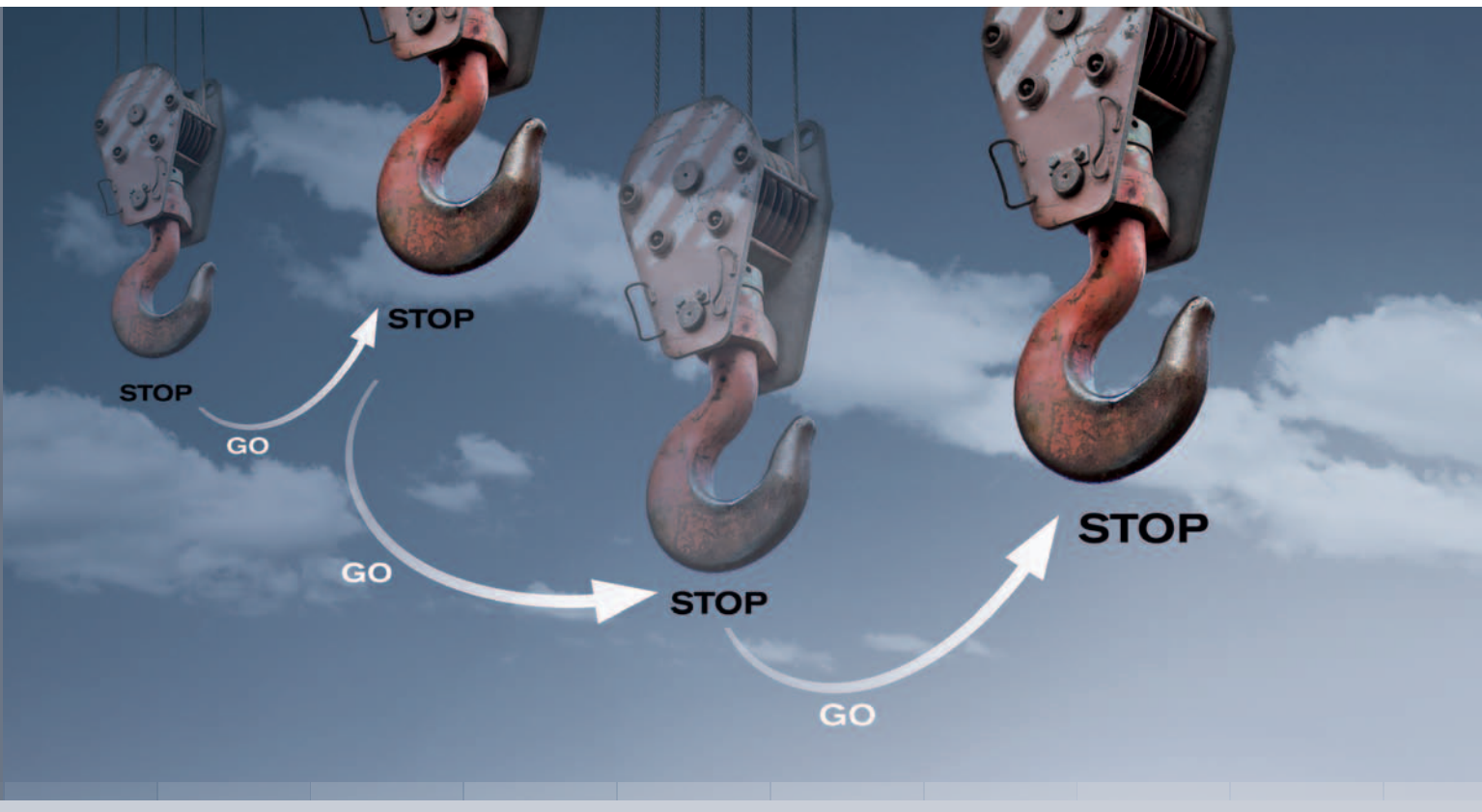
KTR products are evidence of well-designed, quality components resulting in improved characteristics of the drive or brake system and as a consequence, a longer service life. It is our aim to continually improve the quality of our products and services. We can analyse the stiffness of components by utilising FEM (Finite Element Method) system and we can also perform torsional vibration calculations for entire drive systems. In our in-house Research and Development Centre we test our products on accurate test benches in realistic operating conditions. Our main objective is to provide you with the uppermost satisfaction.

Our technical sales engineers and our well-trained sales staff will be pleased to give you advice. KTR provides you with extensive services online, too: At [www.ktr.com](http://www.ktr.com) you can request information, including our product catalogue, 3D-CAD-models and assembly instructions. For standard applications you can select your drive component from of more than 3.500 standard products. Having selected which one is the right component for your application by using our online calculation program, you are now in a position to order the products by contacting your nearest KTR company. Alternatively our KTR Shop is open 24 hours a day.

Our latest scheduling system SAP ERP ensures an optimum networking with our customers and allows for a quick and reliable delivery service. A selection of 3.500 couplings and hydraulic components are permanently available from stock. For orders placed by 2:00pm we guarantee the despatch of orders the same day! In the KTR Logistics Centre the overall flow of goods is supervised by radio-controlled barcode scanning. Leading distribution partners ensure delivery on time. Our tracking and tracing system allows you to follow the progress of your order at all times. KTR supplies to every location in the world.

For further details about us and our products:  
[www.ktr.com](http://www.ktr.com)





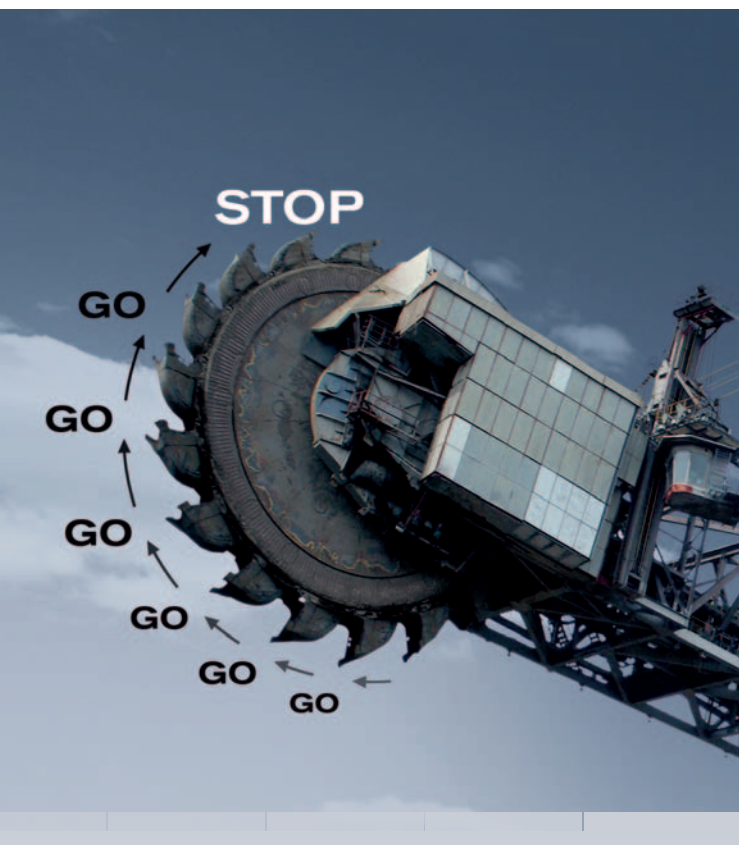
## STOP and GO – with KTR

You will probably know that you can help move your business with KTR. We are mainly known for our drive components, it is less known that you can effectively apply the brakes with us as well. Why not simply make a stopover to get to know the new KTR-STOP® brake systems!

### Revolution instead of evolution

For several years KTR have successfully distributed brakes in many countries throughout the world. Now we have combined this know-how about brakes with our experience, gained over decades, in drive technology which we are actually investigating in detail now. During a careful stop-and-go analysis our brakes were examined “disc by disc”. The materials were optimised, the processing was brought to perfection, the dimensions were reduced. Potential weak points were systematically eliminated, strengths of the product were consistently extended. The result is one of the most efficient and resistant brake systems you will find in the market at the moment. In other words: We have re-invented the brake!





### Benefits that take effect

It goes without saying that we have reverted to well-approved standards with the new development. The new KTR-STOP® brake systems are based on the conventional disc brake, but was improved significantly in many respects, for example:

- Higher protection against atmospheric influences by full encapsulation and integrated dirt strippers
- Less maintenance intervals and low operating expenses
- Longer service life
- Less wear due to additional guiding systems
- Higher power density by lower weight and more compact design
- Maximum utilisation of material of brake pads: They can be worn down to the base plate.

### Higher variety of applications

Though different in their basic arrangement, the new KTR-STOP® brakes are equipped for different applications. Above all they are not afraid of heavy labour under aggressive and rough environmental conditions, which means they are ideal for mining as well as crane and wind power stations.

### Think globally, brake locally

We combine designing standards well-approved throughout the world with your individual demands and requests on applications with everything we build. To make sure that you have a short braking distance, you will find our subsidiary companies and dealers throughout the world.

Simply consult with your local KTR partner – we will cope with your challenge with our united brake forces!



## Accelerate your business – With the new KTR-STOP® brake systems

No matter whether your business is driven by harsh wind, gigantic lifting forces or irrepressible torque: With the new KTR-STOP® brake systems you will safely brake even heavy machinery under tough environmental conditions. Offshore and onshore. On the surface and underground. Today and tomorrow.

### The right brake for every application

KTR offers the perfect brake solution for every purpose – from 1 to 500 kN, in an active or spring-actuated design. The brake forces are as variable as the applications: The variety includes crane building, mining and conveyor technology, wind power stations and mill building to marine and offshore technology. On land we safely brake belt conveyors, bucket wheel excavators, reclaimers or stackers. On the high seas we brake winches, anchor windlasses and deck cranes. In addition, we can stop large wind turbines via azimuth and rotor lock brakes.

### Full lifting and conveying force

In mining and crane building as well as conveyor and marine technology not only high forces, but also adverse environmental influences have to be considered. The new KTR-STOP® brake systems were developed particularly for the use under the most extreme environmental conditions. Mud, rain, salt, severe cold and blistering heat had to be considered when deciding on our materials of choice, we improved the corrosion protection, refined the selection. Having learned the hard way our brakes are well-prepared for offshore applications in a salty atmosphere. Just as reliably they withstand the aggressive environmental conditions in mining and crane building, in particular the heavy load of heat caused by foundry cranes or the sulphurous air in copper mining. In brief: KTR-STOP® still brakes when other brakes already have put a spanner in the works or become prone to fading by insufficient heat dissipation.







### **Full wind power**

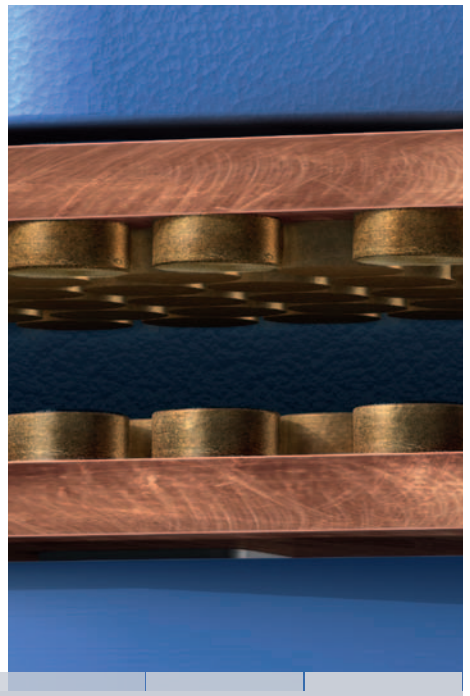
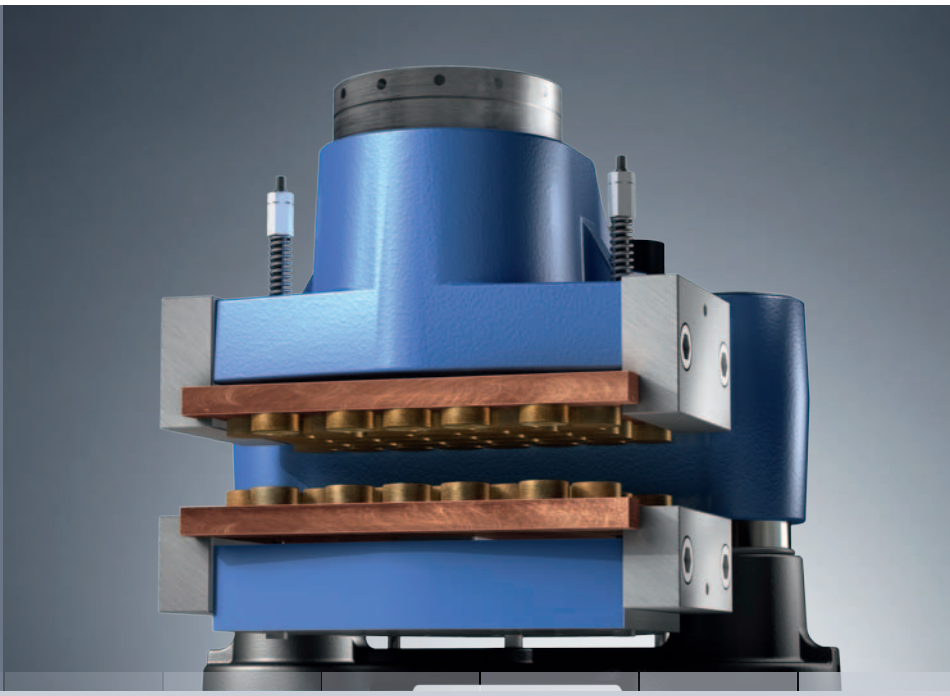
Brakes are a decisive component of the safety concept of wind power stations. Or better: two decisive components. Since they are used on two pivots: on the rotor and the pod. We recommend KTR-STOP® high-power brakes for both applications.

### **KTR-STOP® rotor brakes**

In older times wind turbines were often designed according to the stall principle ensuring a power limitation on the rotor blades by selective stall. In this case the brakes serving as emergency brake calliper actually had to bear the total load so that they had to be selected properly. Today modern wind turbines often go with the flow by making use of the wind's brake effect. They operate almost exclusively according to the pitch principle, i. e. active blade angle by rotating the rotor blades (pitching). In this case the rotor brakes actually serve as a secondary safety element as well as stop brakes for maintenance operations and standstill periods. In an average wind turbines usually two brake callipers with a disc diameter of about 1 m and closing pressure of approx. 100 kN are sufficient.

### **KTR-STOP® yaw brakes**

In contrast to that KTR-STOP® brake systems display their full strength as yaw brakes for aligning and locking the turbine in the wind. The permanent change between "STOP and GO" requests for particularly low-wear components with gigantic locking pressure of up to 500 kN per brake in order to protect the turbine against wind gust and dynamic load permanently. On large turbines above one megawatt, up to ten active disc brake callipers having such power are used. With KTR-STOP® you are always on the safe side – even if the wind changes.



## Compact. Powerful. Uncompromising: Your benefits at a glance

The new KTR-STOP® brake systems are recognisable by their high power density, low weight and optimised wear behaviour. In this way the operating expenses are reduced and the service life is increased. These are benefits which already pay off with the design – which is continued non-braked during operation.

### More compact design – higher power density

There is one design criteria in KTR: We make all components as compact as possible to leave you the maximum space. The same applies for our new brake systems. Their design with optimised dimensions makes it possible for a high power density with low weight. The compact dimensions extend the application range while at the same time reducing the transport, storage and mounting costs.

### Better pads – less wear

In addition, a special design ensures considerably longer service life of the pad sets. Material, processing and arrangement were optimised in a way that the brake pads can be worn almost down to the base plate. The pads of other manufacturers often have to be replaced much earlier. In contrast to that KTR-STOP® ensures maximum utilisation of material without reduction of power. This means: less standstill periods, less maintenance expenses and lower operating costs.





„IntelliRamp“

### **Perfect “environmental protection” by full encapsulation**

For KTR environmental protection means two things: We not only protect the environment against wear materials, but we also protect our products against negative environmental influences. This is achieved by the new KTR-STOP® brake systems by a number of path breaking innovations, mainly with the full encapsulation of the brake. Thus, mechanical environmental influences and aggressive media cannot do any harm to the inner life of the brake. Fully covered shafts, additional wear rings and integrated dirt wipers ensure a considerably lower level of failure and consequently a significantly longer service life.

### **Brake powerfully – control intelligently**

Brake power means nothing without control. That is why we can provide with our brakes the intelligent brake control “IntelliRamp”, if requested. It allows for controlled and coordinated brake processes which you can accurately adjust to your parameters. By entering “permanent brake speed” sudden brake processes, as an example, which might be dangerous are prevented. Entering “permanent brake period” stops all systems at the same time, in this way preventing, as an example, a critical material jam in conveyor systems.

Entering “invariable deceleration” adjusts the brake power continuously, preventing unnecessary wear of material. Moreover, IntelliRamp has a return stop in case of overload as well as an excessive speed control. For further details please have a look at page 28 and 29.

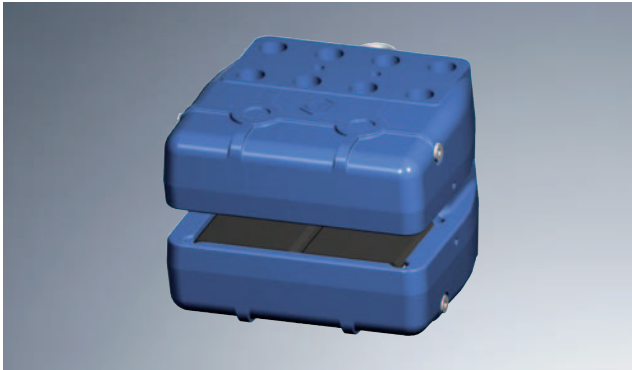
### **Our offer! – Your requests?**

KTR-STOP® brakes are available as designs S(small) and M(medium) and L(large) at the moment. Further sizes (XS, XL und XXL) are already being developed and will supplement the range soon. The offer will be completed by suitable hydraulic power packs.

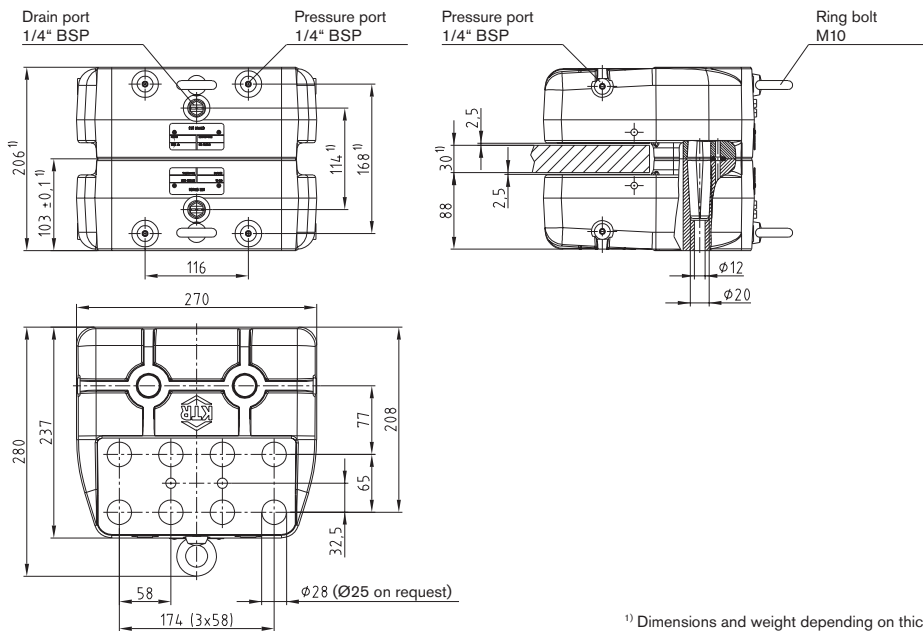
We will be pleased to select your individual brake system as well – combined with all benefits of KTR-STOP®.

Simply let us know what you need – it is hard for us to brake our enthusiasm about developing!

## KTR-STOP® YAW S

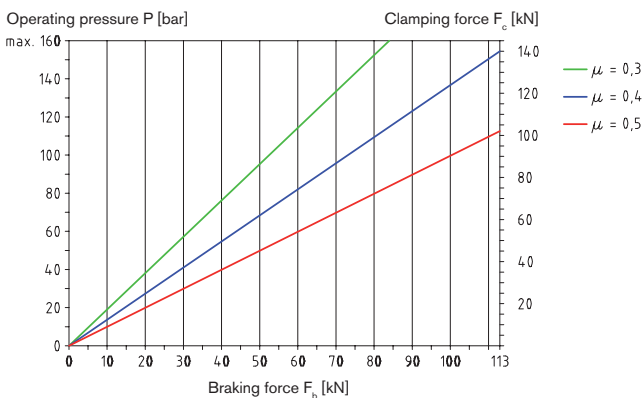


- Short reaction periods subject to the short distance between brake pad and brake disc as well as the low oil volume
- Big pad surface resulting in small surface pressure, low wear of pads and low temperature
- Low maintenance expenses because of a few mobile components only
- Drain ports avoid leakages on the brake pad
- Brake pads available from various materials
- Easy replacement of brake pads
- Suitable for rough ambient conditions



<sup>1)</sup> Dimensions and weight depending on thickness of brake disc.

KTR-STOP® YAW S - Technical data			
Weight	Approx. 63 kg <sup>1)</sup>	Max. clamping force	141 kN
Width of brake pad	108 mm	Max. operating pressure	160 bar
Surface area of each brake pad	Approx. 20.300 mm <sup>2</sup>	Thickness of brake disc	20 mm - 70 mm
Max. wear of each brake pad	7 mm (material: organic)	Assembly of outside brake	400 mm
Nominal coefficient of friction	$\mu = 0,4$	Min. diameter of brake disc $\varnothing D_A$	900 mm
Total brake piston area - complete brake	176 cm <sup>2</sup>	Assembly of inside brake	900 mm
Volume for each brake calliper at 1 mm stroke	17,6 cm <sup>3</sup>	Min. diameter of brake disc $\varnothing D_i$	Max. coupling diameter
Pressure port	1/4" BSP		$\varnothing D_A - 240$ mm
Drain port	1/4" BSP		



$$F_b = F_c \cdot 2 \cdot \mu$$

$$M_b = z \cdot F_b \cdot \frac{(D_A - 0,108)}{2}$$

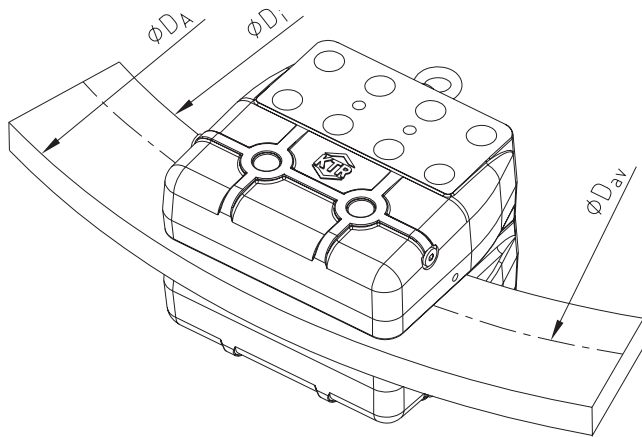
- $F_b$  = Braking force [kN]
- $F_c$  = Clamping force [kN]
- $M_b$  = Braking torque [kNm]
- $z$  = Number of brakes
- $D_A$  = Outside diameter of brake disc [m]
- 0,108 = Width of brake pad [m]

### Order form:

KTR-STOP®	YAW S	A	-30
KTR Brake	Brake size	Variation	Thickness of brake disc

**KTR-STOP® YAW S**

Assembly of inside brake



**Calculation of brake disc**

up to  $\phi D_A = 2000$  mm

$$D_A = D_i + 250$$

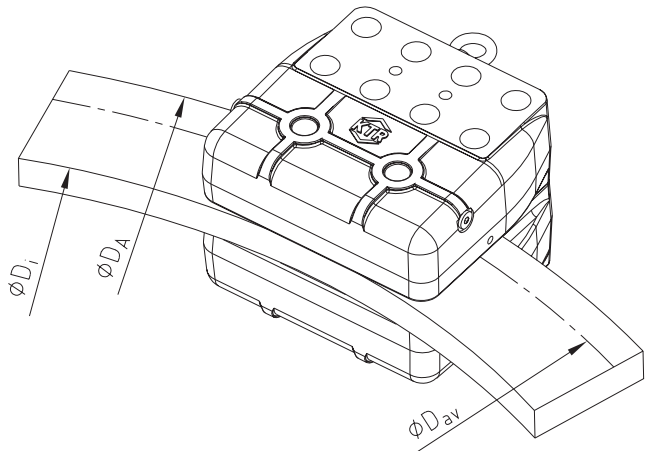
$$D_{av} = D_i + 84$$

from  $\phi D_A = 2000$  mm

$$D_A = D_i + 250$$

$$D_{av} = D_i + 100$$

Assembly of outside brake

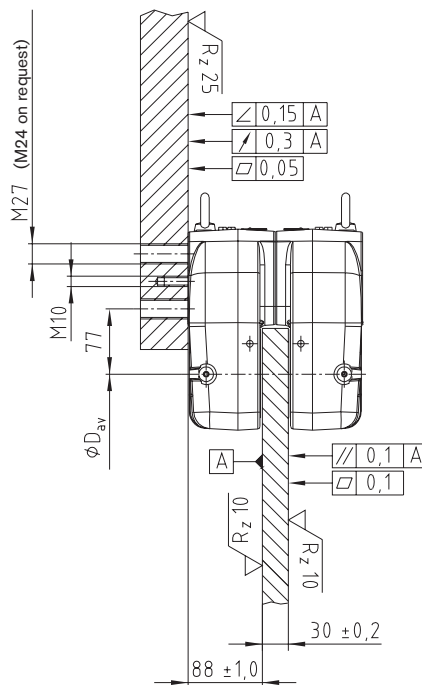


**Calculation of brake disc**

$$D_A = D_i + 240$$

$$D_{av} = D_A - 108$$

**Brake assembly dimensions**

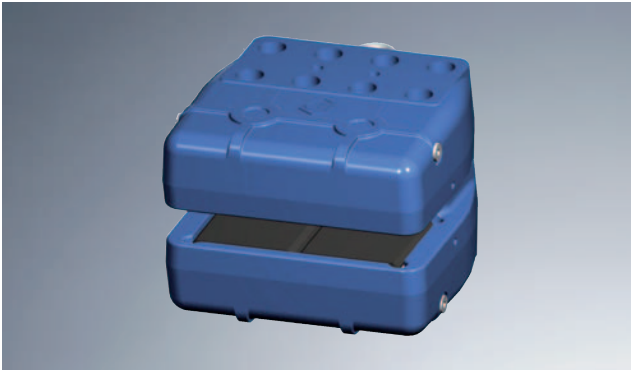


**Optional**

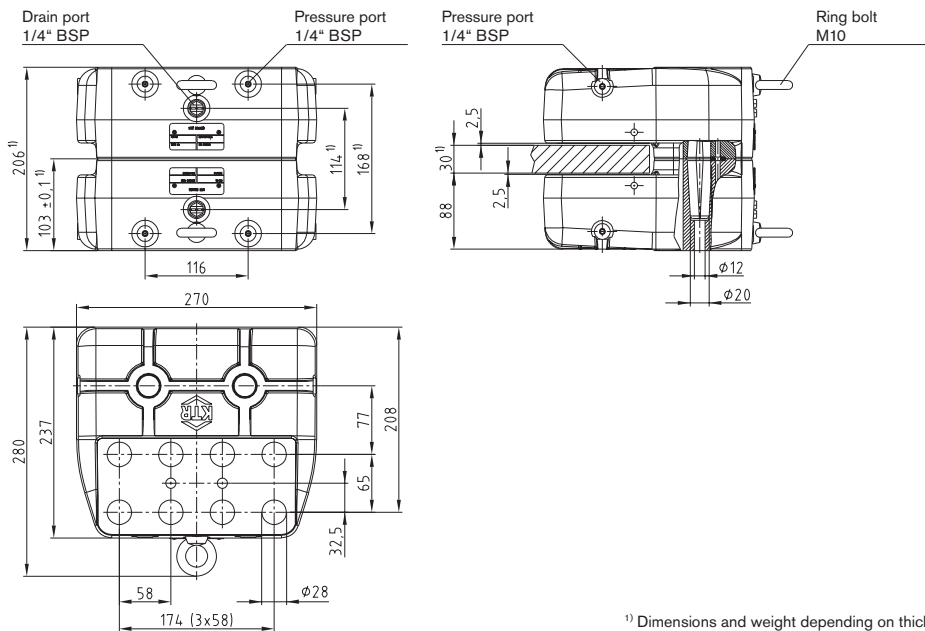
- Different colours available
- Sensor indicating wear of pads and state
- Temperature sensor
- Alternative brake pad materials



## KTR-STOP® YAW M

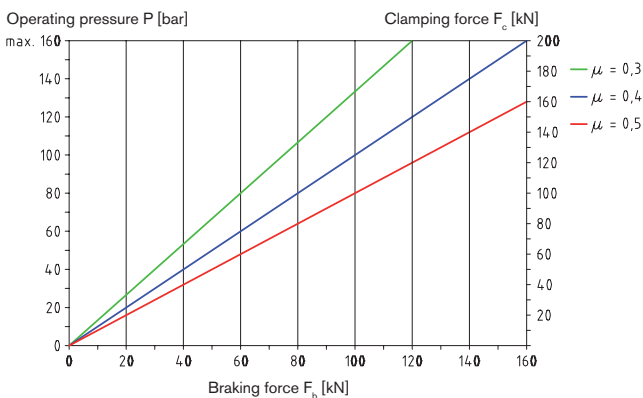


- Short reaction periods subject to the short distance between brake pad and brake disc as well as the low oil volume
- Big pad surface resulting in small surface pressure, low wear of pads and low temperature
- Low maintenance expenses because of a few mobile components only
- Drain ports avoid leakages on the brake pad
- Brake pads available from various materials
- Easy replacement of brake pads
- Suitable for rough ambient conditions



<sup>1)</sup> Dimensions and weight depending on thickness of brake disc.

KTR-STOP® YAW M - Technical data			
Weight	Approx. 63 kg <sup>1)</sup>	Max. clamping force	203 kN
Width of brake pad	108 mm	Max. operating pressure	160 bar
Surface area of each brake pad	Approx. 20.300 mm <sup>2</sup>	Thickness of brake disc	20 mm - 70 mm
Max. wear of each brake pad	7 mm (material: organic)	Assembly of outside brake	400 mm
Nominal coefficient of friction	$\mu = 0,4$	Min. diameter of brake disc $\varnothing D_A$	900 mm
Total brake piston area - complete brake	254 cm <sup>2</sup>	Assembly of inside brake	900 mm
Volume for each brake calliper at 1 mm stroke	25,4 cm <sup>3</sup>	Min. diameter of brake disc $\varnothing D_i$	Max. coupling diameter
Pressure port	1/4" BSP		$\varnothing D_A - 240$ mm
Drain port	1/4" BSP		



$$F_b = F_c \cdot 2 \cdot \mu$$

$$M_b = z \cdot F_b \cdot \frac{(D_A - 0,108)}{2}$$

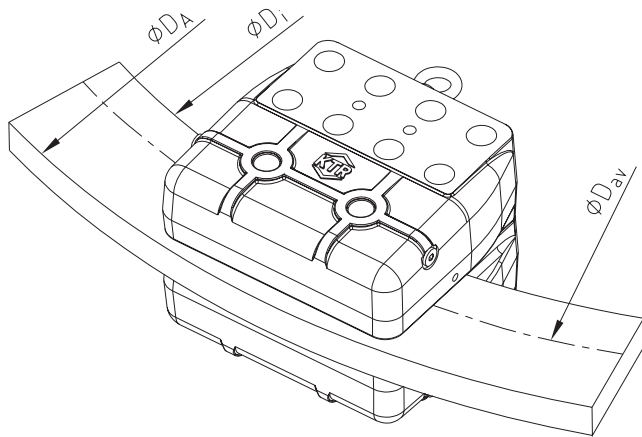
- $F_b$  = Braking force [kN]  
 $F_c$  = Clamping force [kN]  
 $M_b$  = Braking torque [kNm]  
 $z$  = Number of brakes  
 $D_A$  = Outside diameter of brake disc [m]  
 0,108 = Width of brake pad [m]

### Order form:

KTR-STOP®	YAW M	A	-30
KTR Brake	Brake size	Variation	Thickness of brake disc

**KTR-STOP® YAW M**

**Assembly of inside brake**



**Calculation of brake disc**

up to  $\phi D_A = 2000$  mm

from  $\phi D_A = 2000$  mm

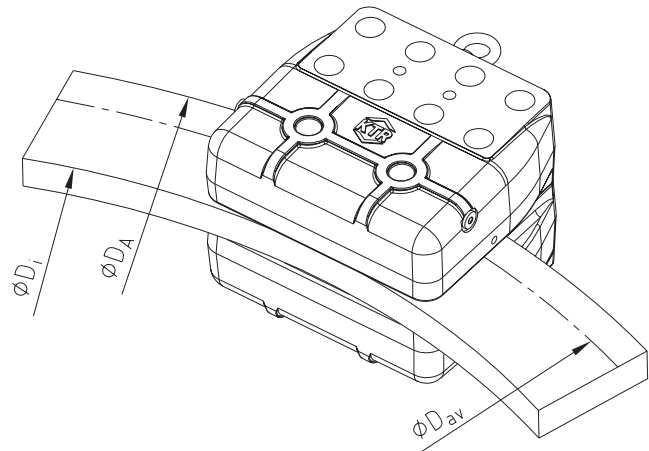
$$D_A = D_i + 250$$

$$D_A = D_i + 250$$

$$D_{av} = D_i + 84$$

$$D_{av} = D_i + 100$$

**Assembly of outside brake**

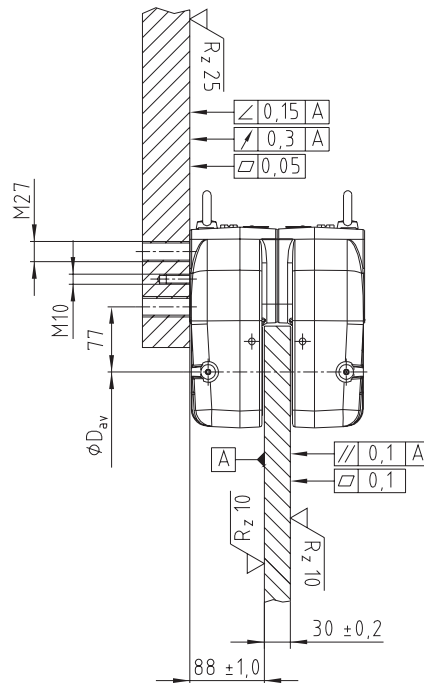


**Calculation of brake disc**

$$D_A = D_i + 240$$

$$D_{av} = D_A - 108$$

**Brake assembly dimensions**



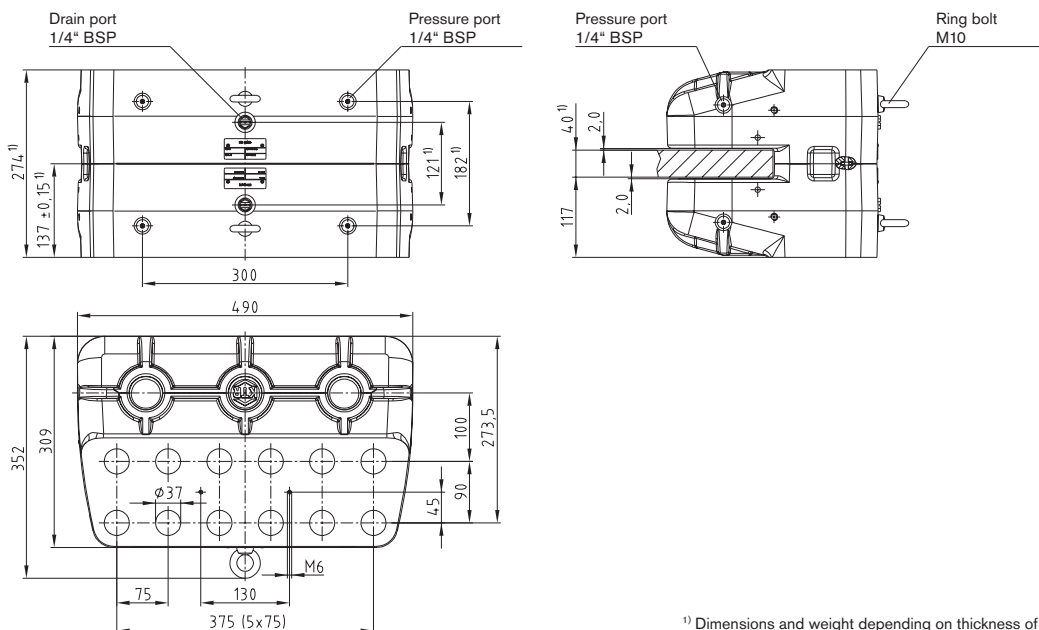
**Optional**

- Different colours available
- Sensor indicating wear of pads and state
- Temperature sensor
- Alternative brake pad materials

## KTR-STOP® YAW L



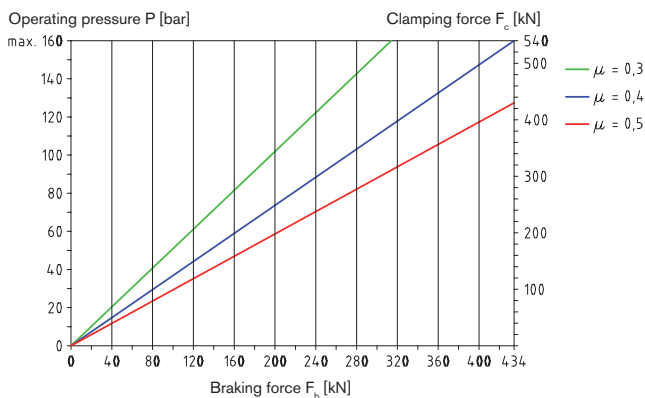
- Short reaction periods subject to the short distance between brake pad and brake disc as well as the low oil volume
- Big pad surface resulting in small surface pressure, low wear of pads and low temperature
- Low maintenance expenses because of a few mobile components only
- Drain ports avoid leakages on the brake pad
- Brake pads available from various materials
- Easy replacement of brake pads
- Suitable for rough ambient conditions



<sup>1)</sup> Dimensions and weight depending on thickness of brake disc.

### KTR-STOP® YAW L - Technical data

Weight	Approx. 176 kg <sup>1)</sup>	Max. clamping force	542 kN
Width of brake pad	138 mm	Max. operating pressure	160 bar
Surface area of each brake pad	Approx. 58.000 mm <sup>2</sup>	Thickness of brake disc	40 mm - 60 mm
Max. wear of each brake pad	7 mm (material: organic)	Assembly of outside brake	2000 mm
Nominal coefficient of friction	$\mu = 0,4$	Min. diameter of brake disc $\varnothing D_A$	2500 mm
Total brake piston area - complete brake	678 cm <sup>2</sup>	Assembly of inside brake	2500 mm
Volume for each brake calliper at 1 mm stroke	67,8 cm <sup>3</sup>	Min. diameter of brake disc $\varnothing D_i$	$\varnothing D_A - 310$ mm
Pressure port	1/4" BSP	Max. coupling diameter	
Drain port	1/4" BSP		



$$F_b = F_c \cdot 2 \cdot \mu$$

$$M_b = z \cdot F_b \cdot \frac{(D_A - 0,138)}{2}$$

$F_b$  = Braking force [kN]  
 $F_c$  = Clamping force [kN]  
 $M_b$  = Braking torque [kNm]  
 $z$  = Number of brakes  
 $D_A$  = Outside diameter of brake disc [m]  
 0,138 = Width of brake pad [m]

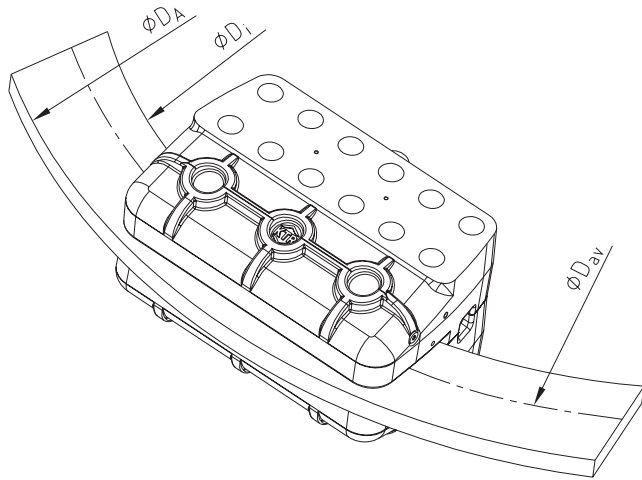
### Order form:

KTR-STOP®	YAW L	A	-40
KTR Brake	Brake size	Variation	Thickness of brake disc

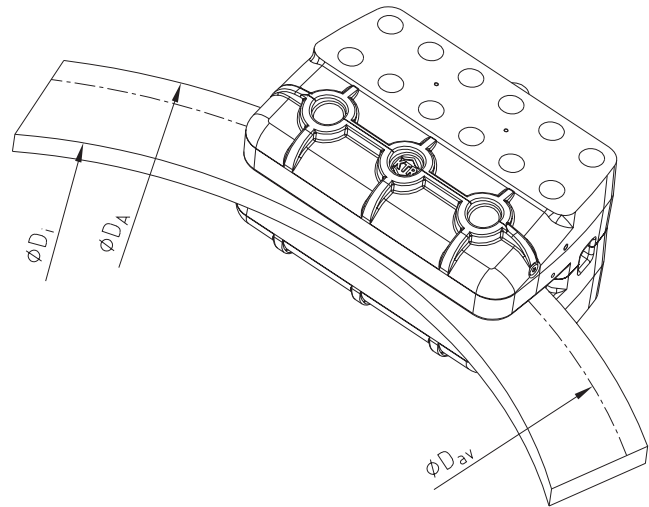


**KTR-STOP® YAW L**

**Assembly of inside brake**



**Assembly of outside brake**



**Calculation of brake disc**

up to  $\varnothing D_A = 4500$  mm

from  $\varnothing D_A = 4500$  mm

$D_A = D_i + 320$

$D_A = D_i + 310$

$D_{av} = D_i + 136$

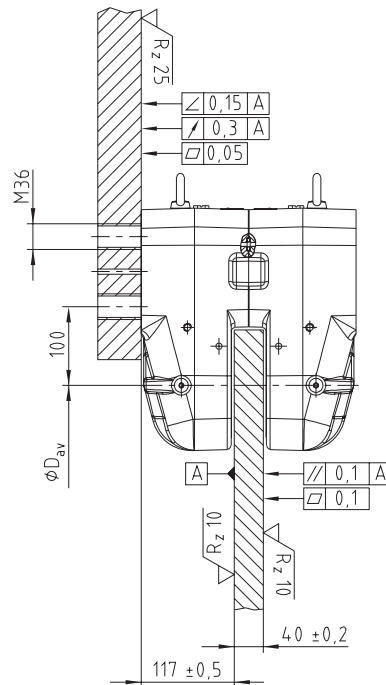
$D_{av} = D_i + 136$

**Calculation of brake disc**

$D_A = D_i + 320$

$D_{av} = D_A - 138$

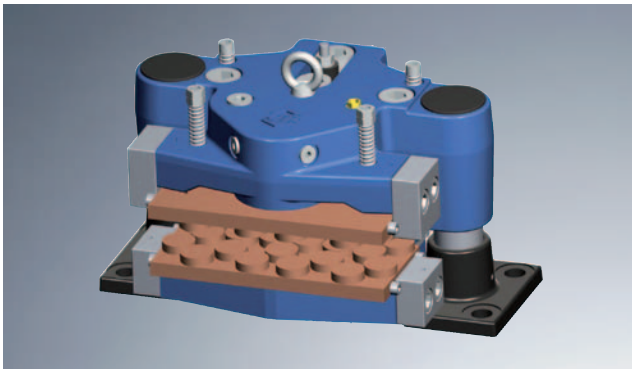
**Brake assembly dimensions**



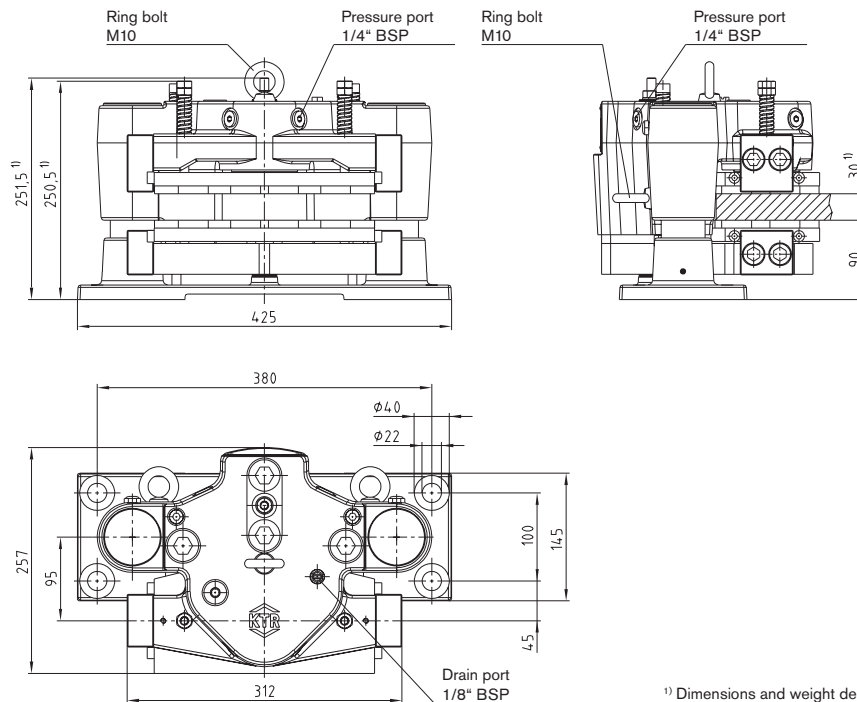
**Optional**

- Different colours available
- Sensor indicating wear of pads and state
- Temperature sensor
- Alternative brake pad materials

## KTR-STOP® S-A-F



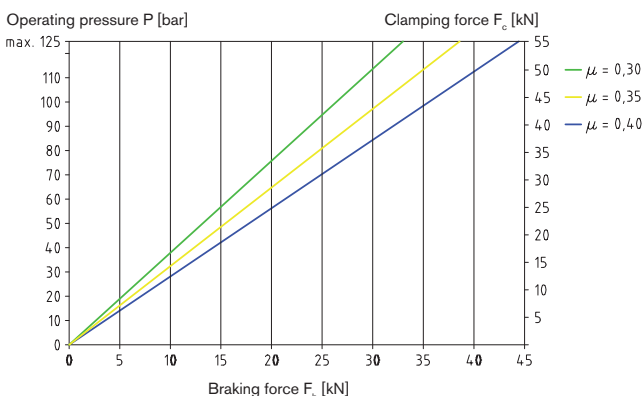
- Short reaction periods subject to the short distance between brake pad and brake disc as well as the low oil volume
- Big pad surface resulting in small surface pressure, low wear of pads and low temperature
- Low maintenance expenses because of a few mobile components only
- Drain ports avoid leakages on the brake pad
- Brake pads available from various materials
- Easy replacement of brake pads
- Suitable for rough ambient conditions



<sup>1)</sup> Dimensions and weight depending on thickness of brake disc.

### KTR-STOP® S-A-F - Technical data

Weight	Approx. 76 kg <sup>1)</sup>	Max. clamping force	55 kN
Width of brake pad	125 mm	Max. operating pressure	125 bar
Surface area of each brake pad	organic sintered	Approx. 29.000 mm <sup>2</sup> 20.000 mm <sup>2</sup>	Thickness of brake disc Pressure port
Max. wear of each brake pad	7 mm	Drain port	1/4\"
Nominal coefficient of friction	$\mu = 0,4$	Floating range on axles - towards mounting surface	1/8\"
Total brake piston area - complete brake	44,2 cm <sup>2</sup>	Floating range on axles - away from mounting surface	5 mm
Volume for each brake calliper at 1 mm stroke	4,42 cm <sup>3</sup>	Min. diameter of brake disc $\varnothing D_A$	10 mm
			500 mm



$$F_b = F_c \cdot 2 \cdot \mu$$

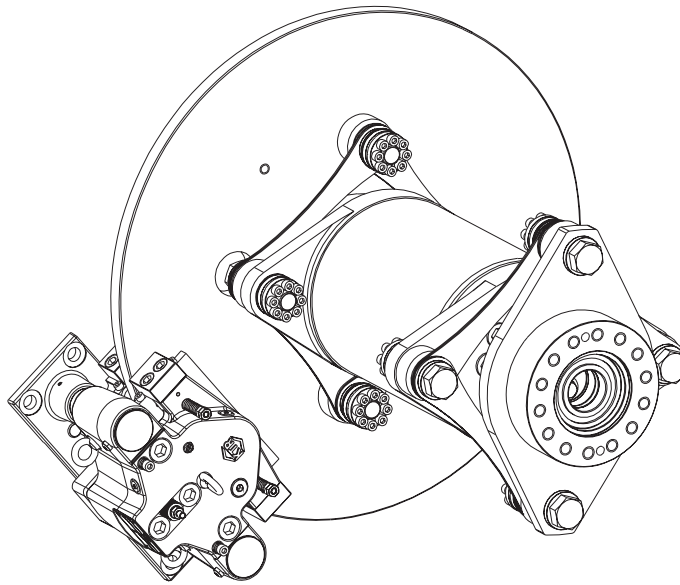
$$M_b = z \cdot F_b \cdot \frac{(D_A - 0,125)}{2}$$

- $F_b$  = Braking force [kN]  
 $F_c$  = Clamping force [kN]  
 $M_b$  = Braking torque [kNm]  
 $z$  = Number of brakes  
 $D_A$  = Outside diameter of brake disc [m]  
 0,125 = Width of brake pad [m]

### Order form:

KTR-STOP®	S	-A	-F	A	-40
KTR Brake	Brake size	Active	Floater	Variation	Thickness of brake disc

**KTR-STOP® S-A-F**



**Calculation of brake disc**

up to  $\varnothing D_A = 1500$  mm

$$D_{C \max.} = D_A - 260$$

$$D_{av} = D_A - 130$$

from  $\varnothing D_A = 1500$  mm up to  $\varnothing D_A = 3000$  mm

$$D_{C \max.} = D_A - 250$$

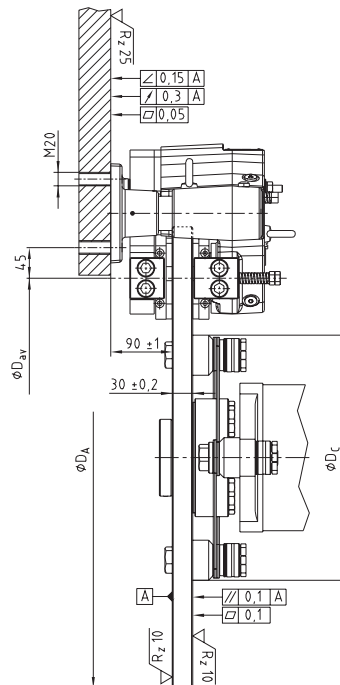
$$D_{av} = D_A - 120$$

from  $\varnothing D_A = 3000$  mm

$$D_{C \max.} = D_A - 240$$

$$D_{av} = D_A - 110$$

**Brake assembly dimensions**

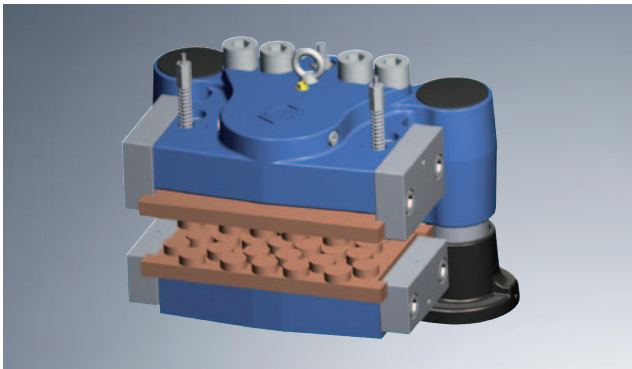


**Optional**

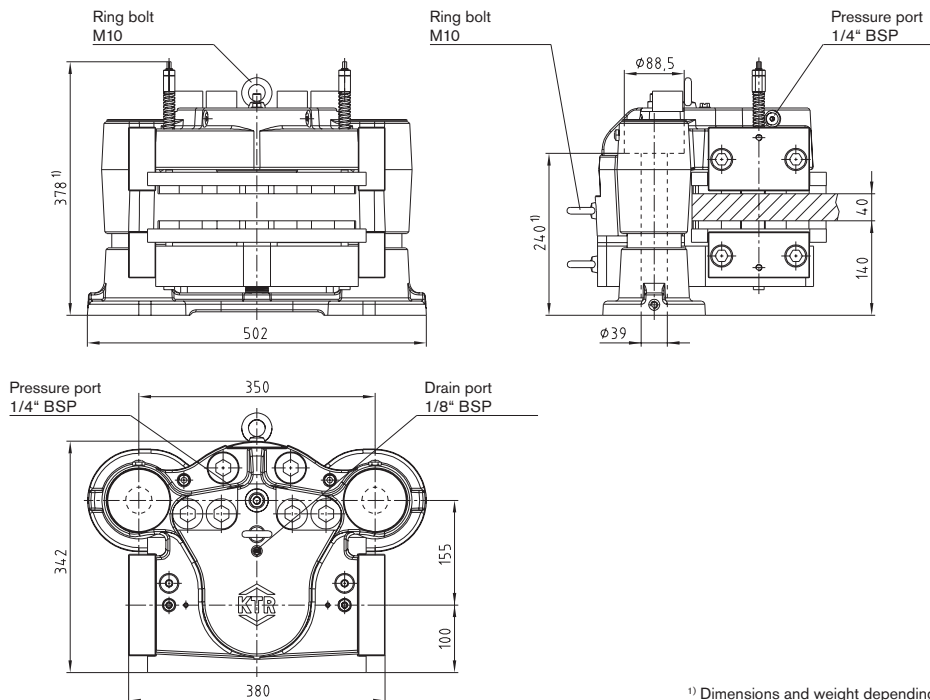
- Different colours available
- Sensor indicating wear of pads and state
- Temperature sensor
- Alternative brake pad materials



## KTR-STOP® M-A-F

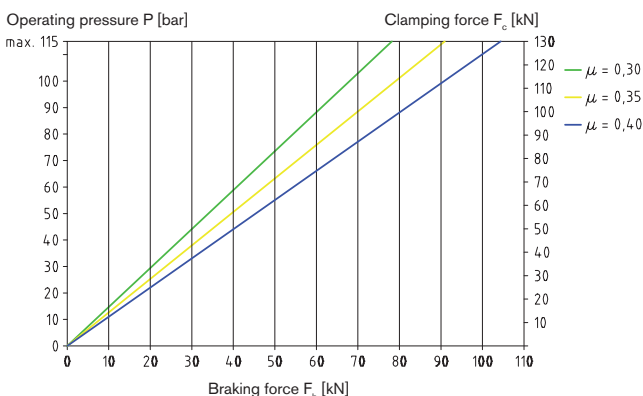


- Short reaction periods subject to the short distance between brake pad and brake disc as well as the low oil volume
- Big pad surface resulting in small surface pressure, low wear of pads and low temperature
- Low maintenance expenses because of a few mobile components only
- Drain ports avoid leakages on the brake pad
- Brake pads available from various materials
- Easy replacement of brake pads
- Suitable for rough ambient conditions
- Easy assembly of the brake by means of two screws



<sup>1)</sup> Dimensions and weight depending on thickness of brake disc.

KTR-STOP® M-A-F - Technical data			
Weight	Approx. 172 kg <sup>1)</sup>	Max. clamping force	130 kN
Width of brake pad	200 mm	Max. operating pressure	115 bar
Surface area of each brake pad	organic sintered	Approx. 59.600 mm <sup>2</sup> 36.000 mm <sup>2</sup>	Thickness of brake disc 25 mm - 50 mm
Max. wear of each brake pad	12 mm	Pressure port	1/4" BSP
Nominal coefficient of friction	$\mu = 0,4$	Drain port	1/8" BSP
Total brake piston area - complete brake	113 cm <sup>2</sup>	Floating range on axles - towards mounting surface	5 mm
Volume for each brake calliper at 1 mm stroke	11,3 cm <sup>3</sup>	Floating range on axles - away from mounting surface	10 mm
		Min. diameter of brake disc $\varnothing D_A$	800 mm



$$F_b = F_c \cdot 2 \cdot \mu$$

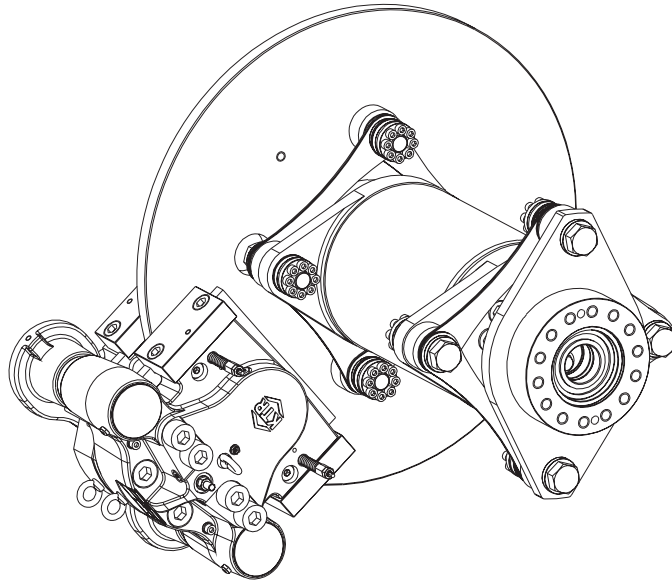
$$M_b = z \cdot F_b \cdot \frac{(D_A - 0,2)}{2}$$

- $F_b$  = Braking force [kN]  
 $F_c$  = Clamping force [kN]  
 $M_b$  = Braking torque [kNm]  
 $z$  = Number of brakes  
 $D_A$  = Outside diameter of brake disc [m]  
 0,2 = Width of brake pad [m]

Order form:

KTR-STOP®	M	-A	-F	A	-40
KTR Brake	Brake size	Active	Floater	Variation	Thickness of brake disc

**KTR-STOP® M-A-F**

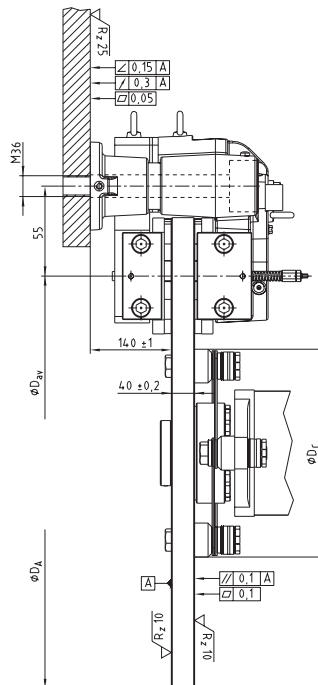


**Calculation of brake disc**

$$D_{C_{max}} = D_A - 410$$

$$D_{av} = D_A - 200$$

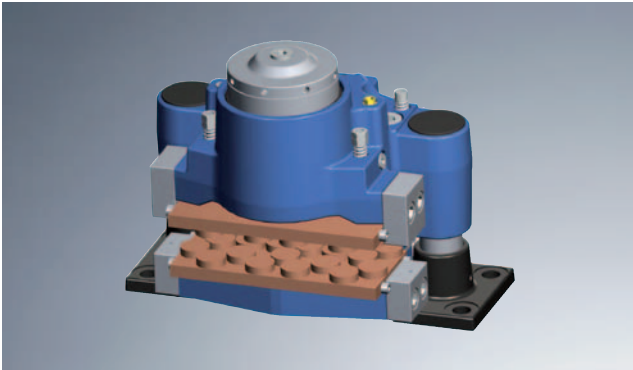
**Brake assembly dimensions**



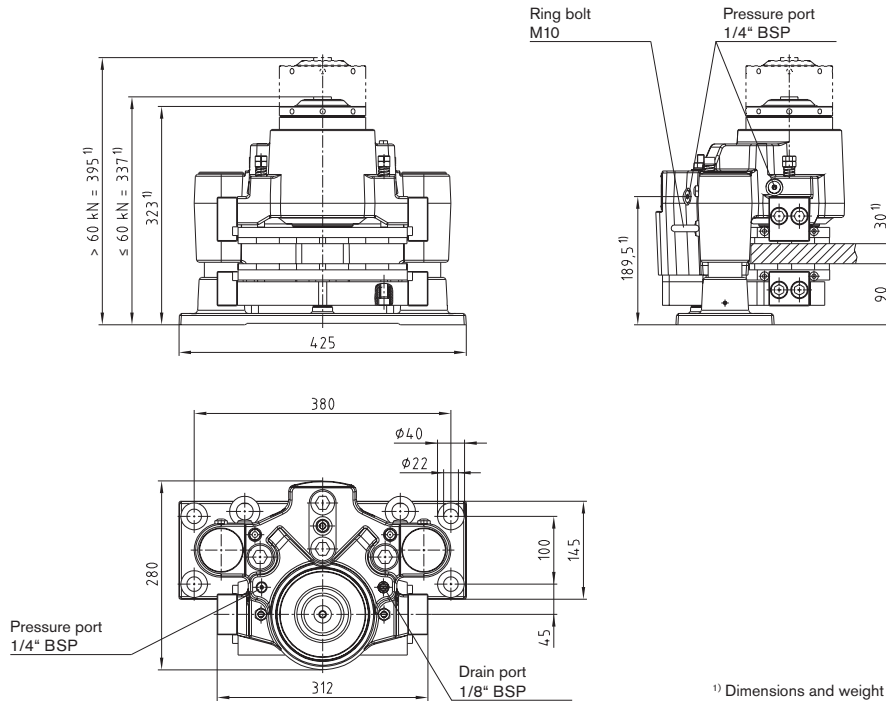
**Optional**

- Different colours available
- Sensor indicating wear of pads and state
- Temperature sensor
- Alternative brake pad materials

## KTR-STOP® S-xx-F



- Sealed shafts for difficult ambient conditions
- Big pad surface resulting in small surface pressure, low wear of pads and low temperature
- Low wear of pistons due to arrangement of the pistons in guide rings
- High power density
- Brake pads available from various materials
- Dirt is prevented by strippers in the shaft guidance



<sup>1)</sup> Dimensions and weight depending on thickness of brake disc.

KTR-STOP® S-xx-F - Technical data				
Weight	Approx. 90 kg - 99 kg <sup>1)</sup>		Max. operating pressure	200 bar
Width of brake pad	125 mm		Thickness of brake disc	25 mm - 50 mm
Surface area of each brake pad	organic	Approx. 29.000 mm <sup>2</sup>	Pressure port	1/4" BSP
	sintered	20.000 mm <sup>2</sup>	Drain port	1/8" BSP
Max. wear of each brake pad	7 mm		Floating range on axles - towards mounting surface	5 mm
Nominal coefficient of friction	$\mu = 0,4$		Floating range on axles - away from mounting surface	10 mm
Total brake piston area - complete brake	69 cm <sup>2</sup>		Min. diameter of brake disc $\varnothing D_A$	500 mm
Volume for each brake calliper at 1 mm stroke	6,9 cm <sup>3</sup>			

Order form:	KTR-STOP®	S	-40	-F	A	-30
	KTR Brake	Brake size	Clamping force	Floater	Variation	Thickness of brake disc

## KTR-STOP® S-xx-F

Technical data			
Brake type <sup>1)</sup>	Clamping force $F_c$ [kN]	Loss of force <sup>2)</sup> [%]	Weight <sup>3)</sup> [kg]
KTR-STOP® S-40-F	40	8	90
KTR-STOP® S-60-F	60	8	93
KTR-STOP® S-80-F	80	8	99

<sup>1)</sup> Other types on request

<sup>2)</sup> With a stroke of 1 mm (0,5 mm wear of pad on each side)

<sup>3)</sup> Weight depending on thickness of brake disc.

$$F_b = F_c \cdot 2 \cdot \mu$$

$$M_b = z \cdot F_b \cdot \frac{(D_A - 0,125)}{2}$$

$F_b$  = Braking force [kN]

$F_c$  = Clamping force [kN]

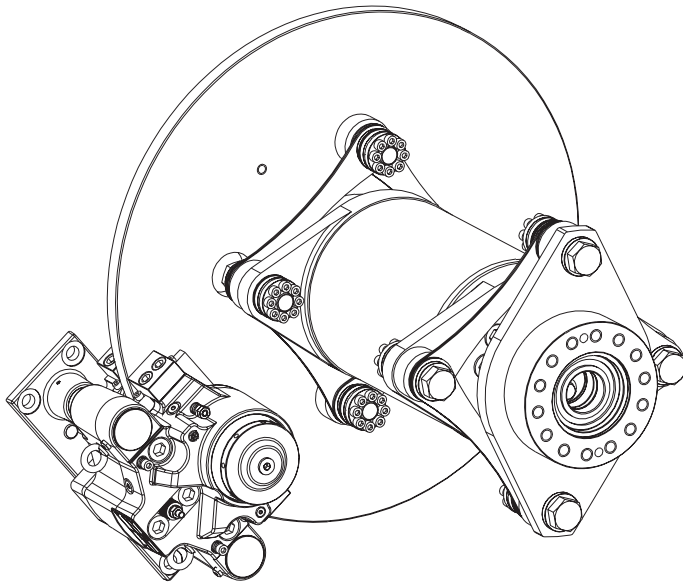
$M_b$  = Braking torque [kNm]

$z$  = Number of brakes

$D_A$  = Outside diameter of brake disc [m]

0,125 = Width of brake pad [m]

## Brake assembly dimensions



### Calculation of brake disc

up to  $\varnothing D_A = 1500$  mm

from  $\varnothing D_A = 1500$  mm  
up to  $\varnothing D_A = 3000$  mm

from  $\varnothing D_A = 3000$  mm

$$D_{C \max.} = D_A - 260$$

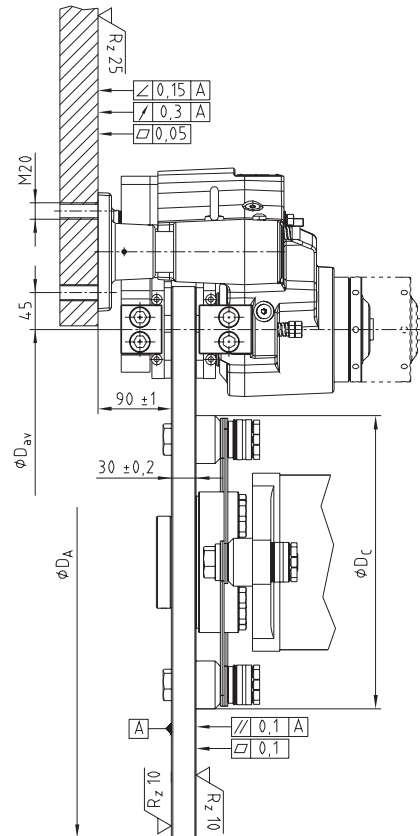
$$D_{C \max.} = D_A - 250$$

$$D_{C \max.} = D_A - 240$$

$$D_{av} = D_A - 130$$

$$D_{av} = D_A - 120$$

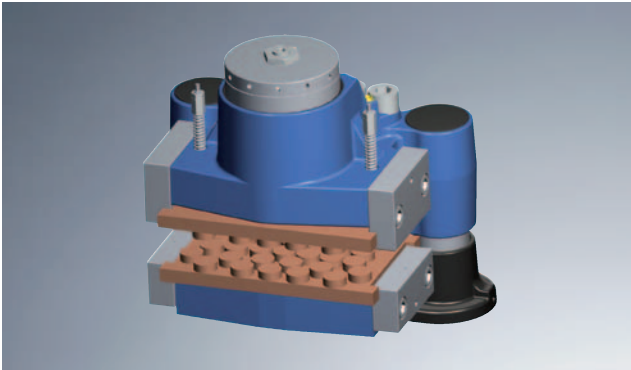
$$D_{av} = D_A - 110$$



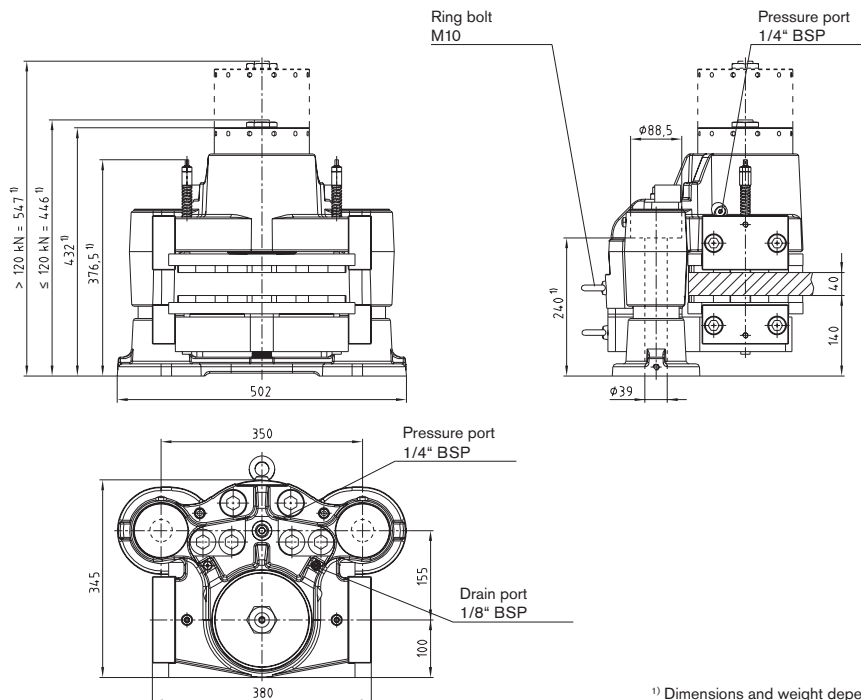
## Optional

- Different colours available
- Sensor indicating wear of pads and state
- Temperature sensor
- Alternative brake pad materials

## KTR-STOP® M-xxx-F



- Sealed shafts for difficult ambient conditions
- Big pad surface resulting in small surface pressure, low wear of pads and low temperature
- Low wear of pistons due to arrangement of the pistons in guide rings
- High power density
- Brake pads available from various materials
- Dirt is prevented by strippers in the shaft guidance
- Easy assembly of the brake by means of two screws



<sup>1)</sup> Dimensions and weight depending on thickness of brake disc.

KTR-STOP® M-xxx-F - Technical data			
Weight	Approx. 193 kg - 212 kg <sup>1)</sup>	Max. operating pressure	230 bar
Width of brake pad	200 mm	Thickness of brake disc	25 mm - 50 mm
Surface area of each brake pad	organic	Approx. 59.600 mm <sup>2</sup>	Pressure port
	sintered	36.000 mm <sup>2</sup>	Drain port
Max. wear of each brake pad	12 mm	Floating range on axles - towards mounting surface	5 mm
Nominal coefficient of friction	$\mu = 0,4$	Floating range on axles - away from mounting surface	below 120 kN = 10 mm
Total brake piston area - complete brake	87,9 cm <sup>2</sup>		from 120 kN = 5 mm
Volume for each brake calliper at 1 mm stroke	8,79 cm <sup>3</sup>	Min. diameter of brake disc $\varnothing D_A$	800 mm

### Order form:

KTR-STOP®	M	-100	-F	A	-40
KTR Brake	Brake size	Clamping force	Floater	Variation	Thickness of brake disc



## KTR-STOP® M-xxx-F

Technical data			
Brake type <sup>1)</sup>	Clamping force $F_c$ [kN]	Loss of force <sup>2)</sup> [%]	Weight <sup>3)</sup> [kg]
KTR-STOP® M-100-F	100	9	193
KTR-STOP® M-120-F	120	9	196
KTR-STOP® M-180-F	180	7	212

<sup>1)</sup> Other types on request

<sup>2)</sup> With a stroke of 1 mm (0,5 mm wear of pad on each side)

<sup>3)</sup> Weight depending on thickness of brake disc.

$$F_b = F_c \cdot 2 \cdot \mu$$

$$M_b = z \cdot F_b \cdot \frac{(D_A - 0,2)}{2}$$

$F_b$  = Braking force [kN]

$F_c$  = Clamping force [kN]

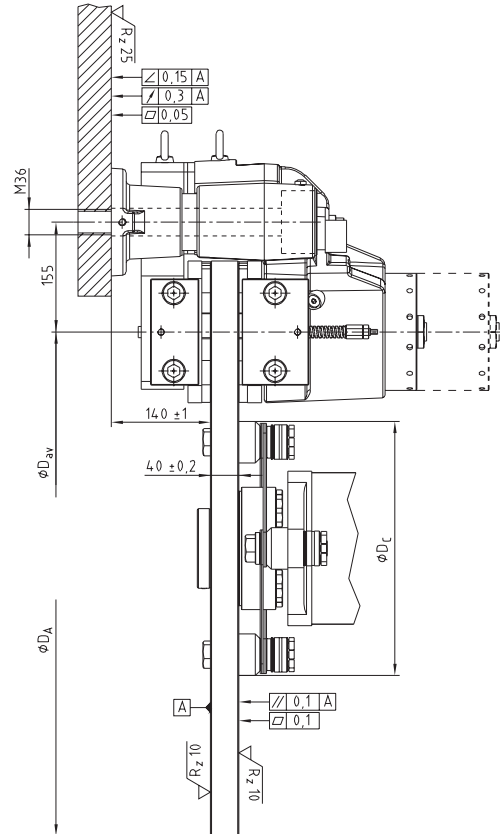
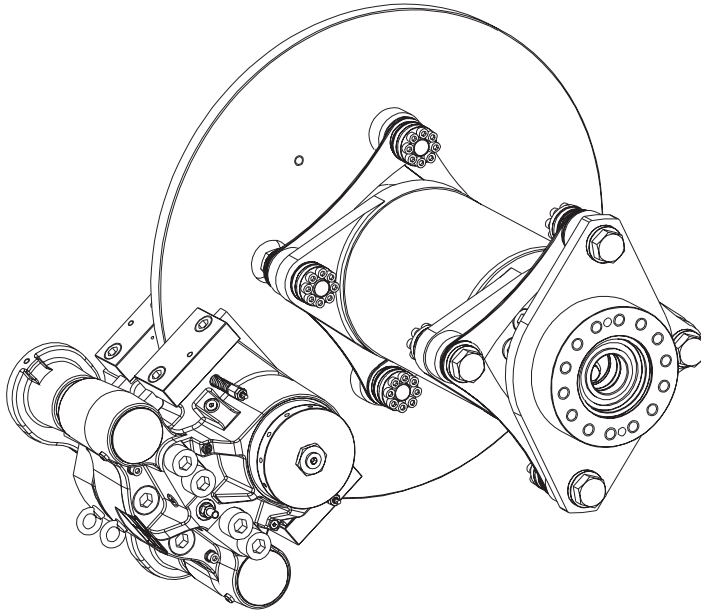
$M_b$  = Braking torque [kNm]

$z$  = Number of brakes

$D_A$  = Outside diameter of brake disc [m]

0,2 = Width of brake pad [m]

## Brake assembly dimensions



## Calculation of brake disc

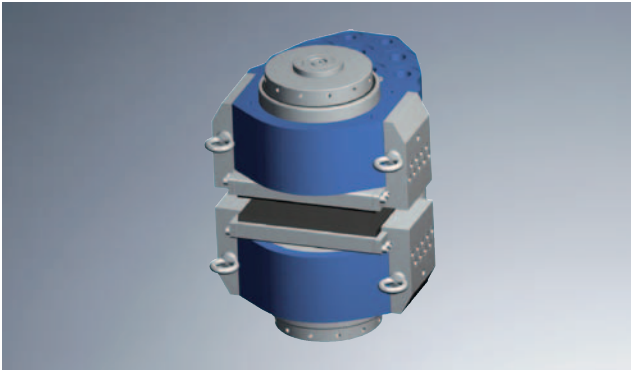
$$D_{C \max} = D_A - 410$$

$$D_{av} = D_A - 200$$

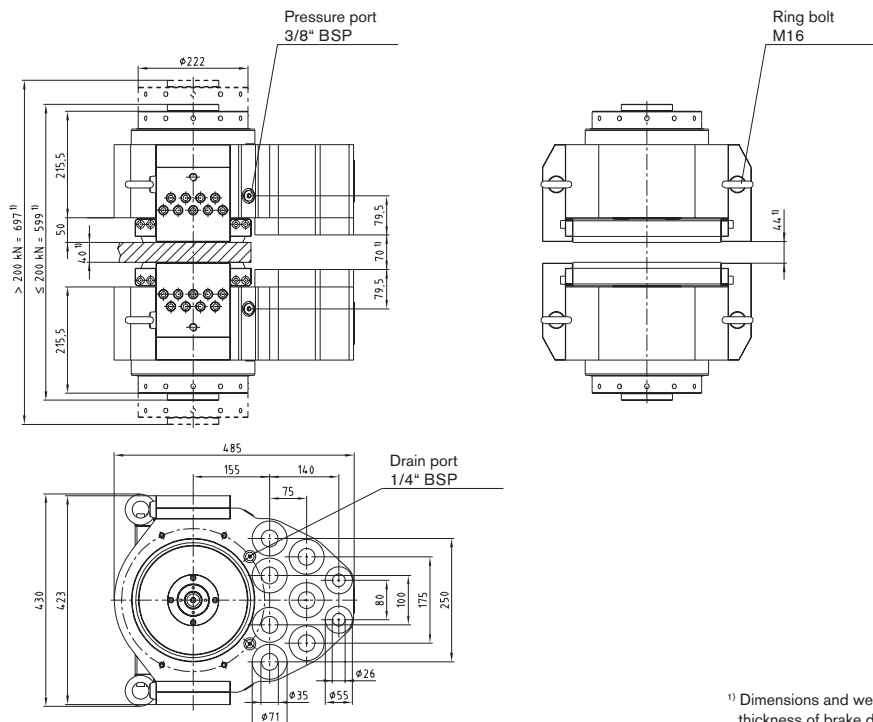
## Optional

- Different colours available
- Sensor indicating wear of pads and state
- Temperature sensor
- Alternative brake pad materials

## KTR-STOP® L



- Universal applications, since available both in arctic and offshore design
- Low maintenance costs due to the modular design and low wear of the piston surfaces subject to guide rings
- Reduced maintenance periods due to the quick adjustment under pressure by means of setting pins
- Continuous brake force due to a small power loss with wear of brake pads
- Easy assembly by means of mechanical clamping nuts
- Brake pads available from various materials



<sup>1)</sup> Dimensions and weight depending on the thickness of brake disc and base plate.

KTR-STOP® L - Technical data			
Weight	Approx. 430 kg <sup>1)</sup>	Max. clamping force	350 kN
Width of brake pad	235 mm	Max. operating pressure	180 bar
Surface area of each brake pad (organic/sintered)	Approx. 63.000 mm <sup>2</sup>	Thickness of brake disc	30 mm - 100 mm
Max. wear of each brake pad	11 mm	Pressure port	3/8" BSP
Nominal coefficient of friction	$\mu = 0,4$	Drain port	1/4" BSP
Total brake piston area - complete brake	452 cm <sup>2</sup>	Min. diameter of brake disc $\phi D_A$	800 mm
Volume for each brake calliper at 1 mm stroke	45,2 cm <sup>3</sup>		

### Order form:

KTR-STOP®	L	-200	A	-40	-70
KTR Brake	Brake size	Clamping force	Variation	Thickness of brake disc	Thickness of base plate (stand)

## KTR-STOP® L

Technical data			
Brake type <sup>1)</sup>	Clamping force $F_c$ [kN]	Loss of force <sup>2)</sup> [%]	Weight <sup>3)</sup> [kg]
KTR-STOP® L-150	150	8	428
KTR-STOP® L-200	200	6	428
KTR-STOP® L-250	250	7	447
KTR-STOP® L-300	300	6	447
KTR-STOP® L-350	350	5	448

<sup>1)</sup> Other types on request

<sup>2)</sup> With a stroke of 1 mm (1 mm wear of pad on each side)

<sup>3)</sup> Weight depending on the thickness of brake disc and base plate.

$$F_b = F_c \cdot 2 \cdot \mu$$

$F_b$  = Braking force [kN]

$z$  = Number of brakes

$F_c$  = Clamping force [kN]

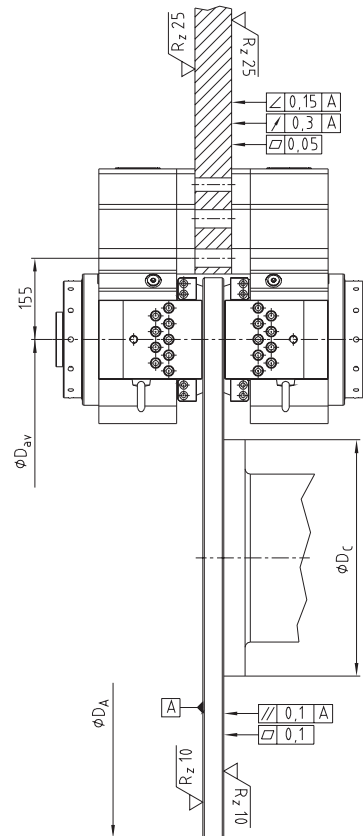
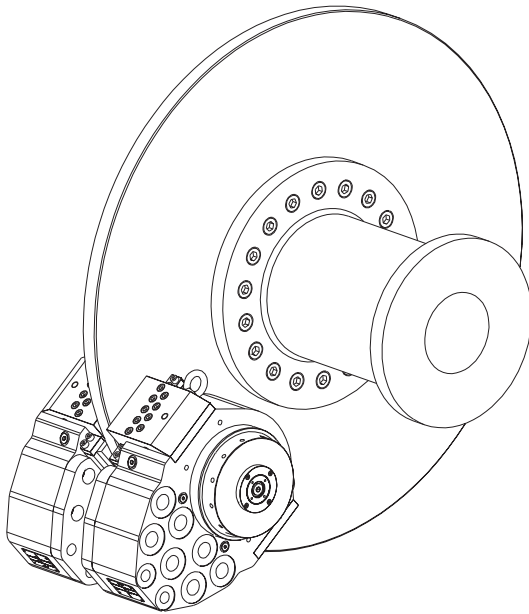
$D_A$  = Outside diameter of brake disc [m]

$M_b$  = Braking torque [kNm]

0,235 = Width of brake pad [m]

$$M_b = z \cdot F_b \cdot \frac{(D_A - 0,235)}{2}$$

## Brake assembly dimensions



### Calculation of brake disc

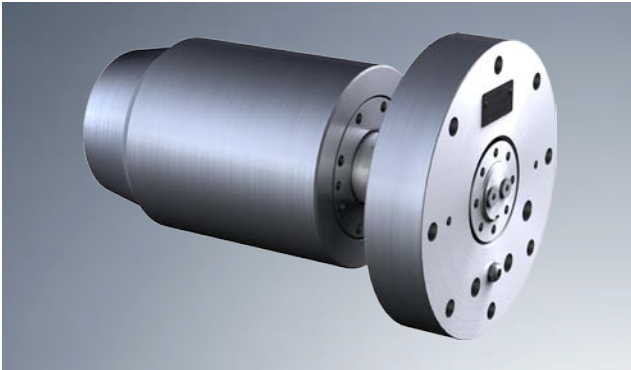
$$D_{C_{max}} = D_A - 565$$

$$D_{av} = D_A - 235$$

## Optional

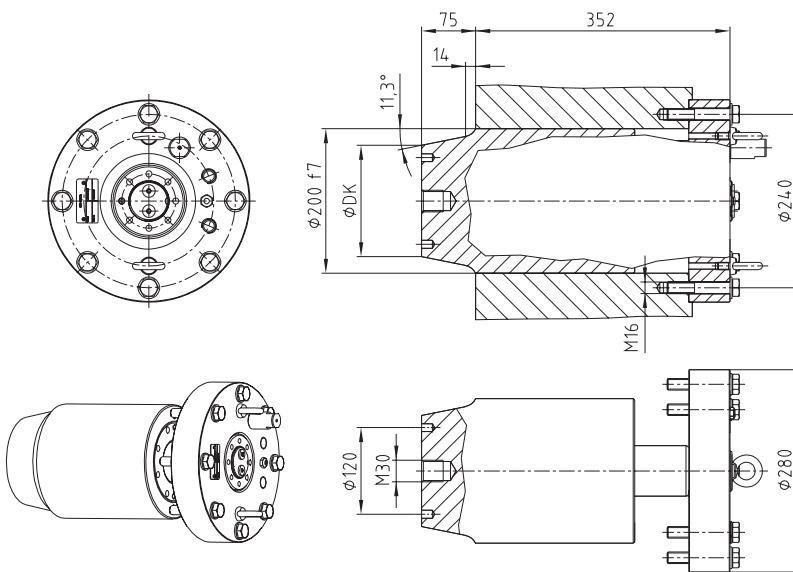
- Different colours available
- Sensor indicating wear of pads and state
- Temperature sensor
- Alternative brake pad materials

## KTR-STOP® RL S

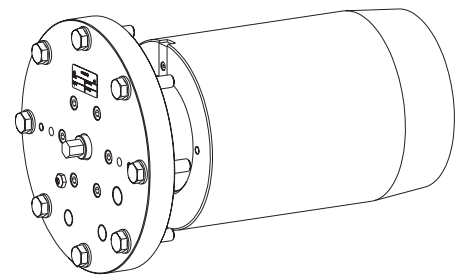


- Rotor Lock for wind turbines
- Locks the rotor on the shaft side with low speed
- Hydraulic and mechanical version available in two sizes
- Monitoring of locking operation via sensors

### Hydraulic version



### Mechanical version



$$M_L = z \cdot F_L \cdot \frac{D_{\text{eff.}}}{2}$$

- $F_L$  = Lateral force [kN]  
 $M_L$  = Lock torque [kNm]  
 $z$  = Number of Rotor Lock  
 $D_{\text{eff.}}$  = Pitch circle diameter of locking disc [m]

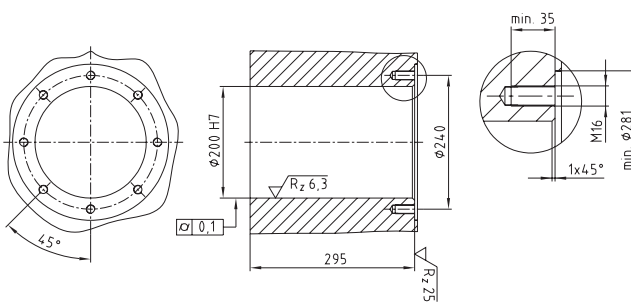
### KTR-STOP® RL S - Technical data

Weight	Approx. 90 kg	Piston diameter	120 mm
Max. stroke	80 mm	Piston area fore stroke	113,10 cm <sup>2</sup>
Max. lateral force <sup>1)</sup>	2000 kN	Piston area back stroke	74,61 cm <sup>2</sup>
Max. operating pressure	250 bar	Oil volume per 1 mm stroke	11,3 cm <sup>3</sup>
Max. force fore stroke F+	283 kN	Oil volume with 75 mm stroke (full stroke)	848,2 cm <sup>3</sup>
Max. force back stroke F-	187 kN	Pressure port	1/4" BSP

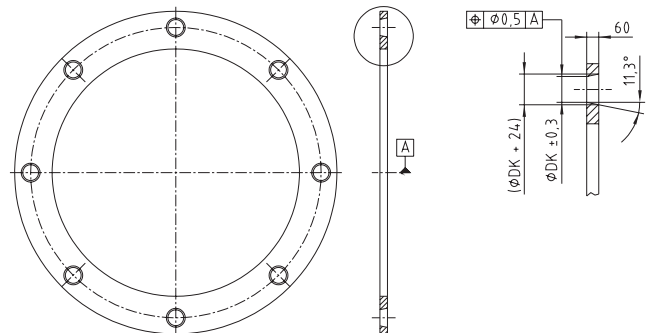
<sup>1)</sup> Please note that the lateral force refers to the Rotor Lock only.

## Assembly dimension

### Housing



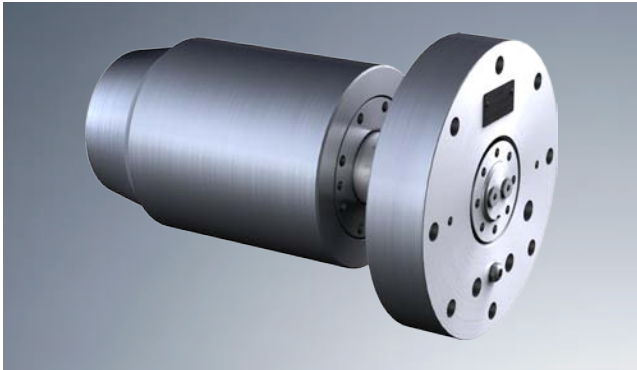
### Locking disc



### Order form:

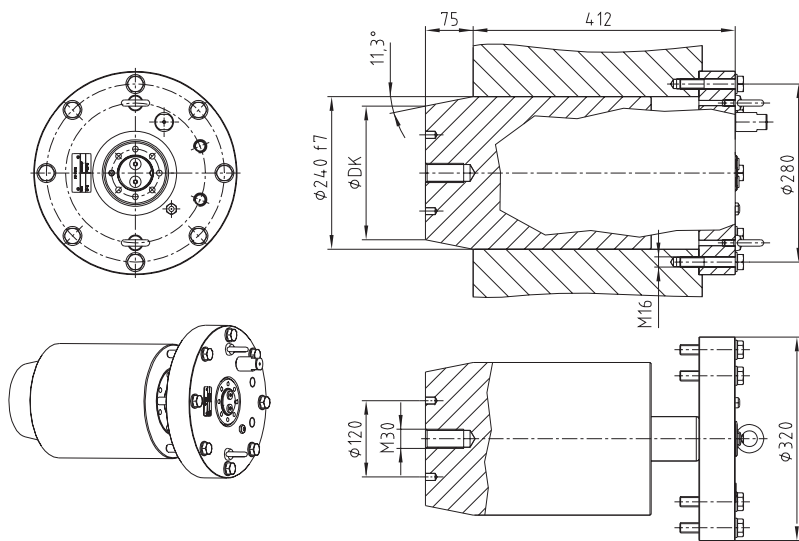
KTR-STOP® RL	S	-A	-295
KTR Rotor Lock	Rotor Lock size	Variation	Length of installation

## KTR-STOP® RL M

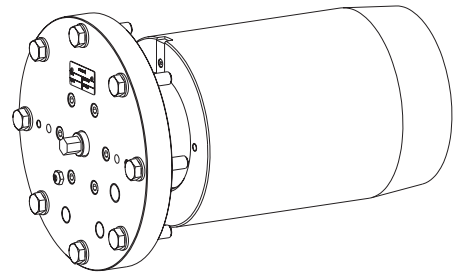


- Rotor Lock for wind turbines
- Locks the rotor on the shaft side with low speed
- Hydraulic and mechanical version available in two sizes
- Monitoring of locking operation via sensors

### Hydraulic version



### Mechanical version



$$M_L = z \cdot F_L \cdot \frac{D_{\text{eff.}}}{2}$$

- $F_L$  = Lateral force [kN]  
 $M_L$  = Lock torque [kNm]  
 $z$  = Number of Rotor Lock  
 $D_{\text{eff.}}$  = Pitch circle diameter of locking disc [m]

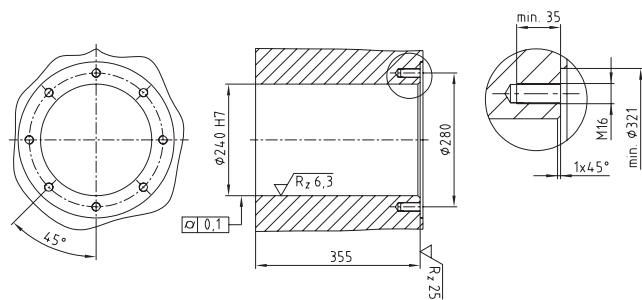
### KTR-STOP® RL M - Technical data

Weight	Approx. 150 kg	Piston diameter	120 mm
Max. stroke	80 mm	Piston area fore stroke	113,10 cm <sup>2</sup>
Max. lateral force <sup>1)</sup>	4000 kN	Piston area back stroke	74,61 cm <sup>2</sup>
Max. operating pressure	250 bar	Oil volume per 1 mm stroke	11,3 cm <sup>3</sup>
Max. force fore stroke F+	283 kN	Oil volume with 75 mm stroke (full stroke)	848,2 cm <sup>3</sup>
Max. force back stroke F-	187 kN	Pressure port	1/4" BSP

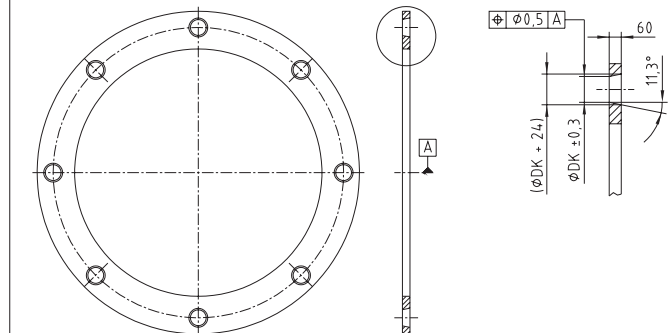
<sup>1)</sup> Please note that the lateral force refers to the Rotor Lock only.

## Assembly dimension

### Housing



### Locking disc



### Order form:

KTR-STOP® RL	M	-A	-355
KTR Rotor Lock	Rotor Lock size	Variation	Length of installation



## Product description

IntelliRamp is an electronic control system allowing for program-controlled, accurate brake processes. Being combined with IntelliRamp, our brakes are therefore suitable for the use in sophisticated applications:



- Ramp-supported brake process
  - Continuous deceleration operation
  - Continuous time operation
  - Continuous speed operation
- Excessive speed monitoring
- Reverse lock
- Joystick control
- Online remote operation

## Function/Design

The operation of IntelliRamp is based on the so-called pulse-width modulation. Here pulse-width modulation means to activate the brake calliper by partial unlocking and locking within a certain ratio during a constant time interval. Throttles which are included in the hydraulic system make sure that the brake callipers do not unlock and lock fully, but that the pressure during one control cycle is either increased or reduced. The benefit of the principle of pulse-width modulation is that no important volume flows are necessary to activate the brakes. This fact renders possible that a power voltage is not necessarily required during the brake process. Since only a pressure pulsation needs to be initiated, a small hydraulic storage is sufficient. As a result IntelliRamp only needs a voltage providing the controller and the valves with a voltage. This voltage can be assured by means of a simple uninterruptible current supply which is available on almost every PLC. That is why the system can be described as being safe from power breakdown.



## Operation

The control system is operated via touch screen with menu navigation. Other relays are not necessary which increases the availability and reliability of IntelliRamp significantly.

### Ramp-supported braking process

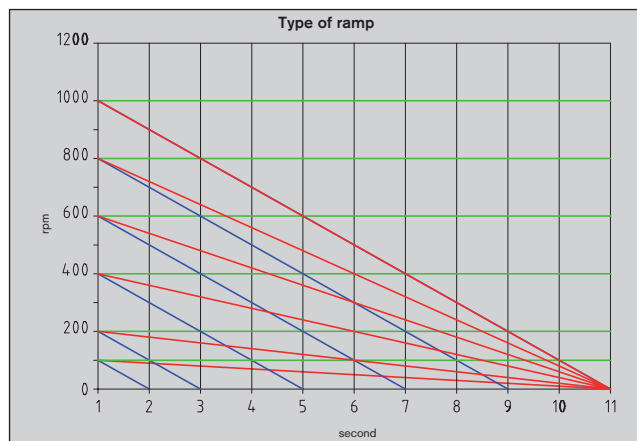
The ramp-supported braking process is activated by a signal safe from cable break. The process is performed via a closed control circuit with speed against time. Since a proportional control is not needed here, the system is safe from power breakdown, i. e. it will work even if the current supply fails. The ramp is defined by a rated speed and a braking time taking this speed into account.

Since a speed which is almost zero cannot be measured accurately any longer, a brake process exists increasing the brake power to achieve the full figure from a certain speed within a period to be defined.

For the ramp a tolerance range is defined which a control is performed in. Falling below this range the brake unlocks, exceeding this range the brake locks fully. The tolerance range can be defined flexibly. The closer the definition, the more accurate is the control, but at the same time the more nervous is the reaction.

In order to avoid impacts in the beginning of the brake process, the power with which the brake initiates the brake process can be defined by means of a parameter, too.

### Scheme of the ramp-supported brake process



- Continuous deceleration:  
With a higher speed the brake cycle takes longer, with a lower speed it is shorter.
- Continuous time operation:  
The same time is always kept which means that the brake engages further if the speed is higher.
- Continuous speed control:  
An option to keep the device at a constant speed via the brake only.

### Description of operation

#### Excessive speed control

The action of excessive speed reacts flexibly within defined excessive speed barriers. Two values can be defined by which either a message is given to the PLC, a brake ramp is activated or an emergency stop is activated immediately without performing any control of this brake process. The excessive speed control can be switch on and off.

#### Reverse lock

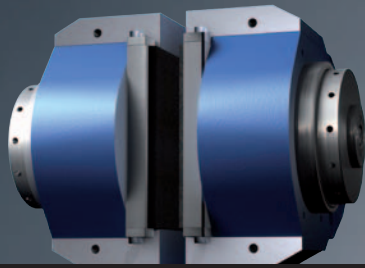
It allows for controlling the speed. In case of an unauthorised rotational direction of the system a brake process is activated or the starting of the device is prevented. A definition of the number of starts preventing a re-start if the number is exceeded is to prevent the device from reversing in case of a fracture of the drive.

#### Joystick control

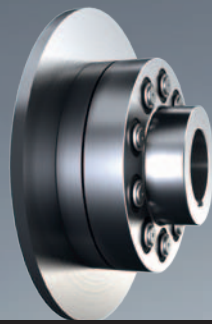
This is an option to use the brake, as an example, like a car brake. The more the joystick travels, the more the brake engages.

#### Online remote operation

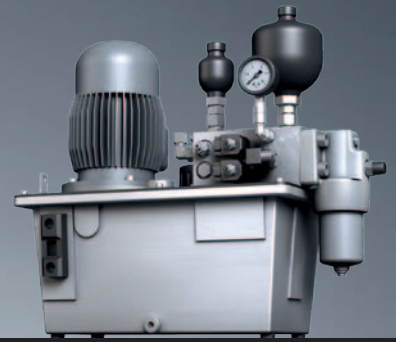
The online remote operation allows both to call the status of the control via a network and to interfere. There is the option to program the control from a place far away.



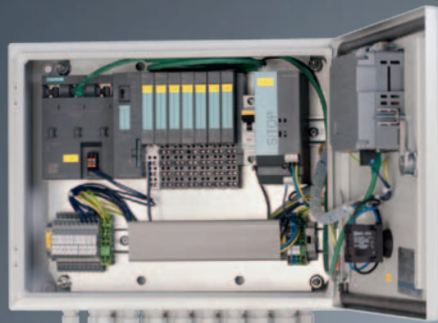
**KTR-STOP®**



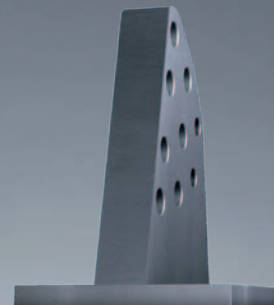
**Coupling with brake disc**



**Hydraulics**



**IntelliRamp**



**Stand**

## Everything from one single source. KTR – your system supplier

### **KTR-STOP®**

KTR-STOP® is the recently developed brake system of KTR. It was designed for applications with high forces and adverse environmental conditions.

### **Coupling with brake disc**

KTR produce drive components for numerous industrial applications. Our couplings are often delivered combined with an integrated brake disc.

### **Hydraulics**

The brake calipers of KTR-STOP® are activated via the hydraulic power pack. For that purpose we offer a compact power pack with solid components for a reliable use under the hardest conditions.

### **IntelliRamp**

IntelliRamp is the newly developed control system performing brake processes reproducibly with the variables speed against time.

### **Stand**

The steel plate serves for supporting the KTR-STOP® brake systems and is adapted to the individual application by KTR.

**Headquarter:**  
**KTR Kupplungstechnik GmbH**  
Postfach 1763  
D-48407 Rheine  
Phone: +49(0)5971 798-0  
Fax: +49(0)5971 798-698 and 798-450  
E-mail: mail@ktr.com  
Internet: www.ktr.com

Thomas Wienkotte  
Dipl.-Ing. (FH)  
Sales Manager Brakes  
Peter-Schumacher-Straße 102  
50171 Kerpen  
Phone: +49(0)2237 971796  
Fax: +49(0)2237 971795  
Mobile: +49(0)172 5859448  
E-mail: t.wienkotte@ktr.com



## KTR worldwide:

### Belgium/Luxemburg

KTR Benelux B. V. (Bureau Belgien)  
Blancefloerlaan 167/22  
B-2050 Antwerp  
Phone: +32 3 2110567  
Fax: +32 3 2110568  
E-mail: ktr-be@ktr.com

### Brazil

KTR do Brasil Ltda.  
Rua Henrique Coelho Neto 381 –  
Barracao I, Nucleo C. Pinhais  
CEP: 83321-030,  
Pinhais, PR  
Brazil  
Phone: +55 41 36 68 99 26  
Fax: +55 41 36 53 62 90  
E-mail: ktr-br@ktr.com

### China

KTR Power Transmission Technology  
(Shanghai) Co. Ltd.  
Floor 1 & 2, Bldg. B  
No. 1501 JinSui Road  
Pudong  
Shanghai 201206  
China  
Phone: +86 21 50 32 08 80  
Fax: +86 21 50 32 06 00  
E-mail: ktr-cn@ktr.com

### Czech Republic

KTR CR, spol. s. r. o.  
Olomoucká 226  
CZ-569 43 Jevicko  
Phone: +420 461 325 014  
Fax: +420 461 325 162  
E-mail: ktr-cz@ktr.com

### Finland

KTR Finland OY  
Tiistinniityntie 2  
SF-02230 Espoo  
PL 23  
SF-02231 Espoo  
Phone: +358 2 07 41 46 10  
Fax: +358 2 07 41 46 19  
E-mail: ktr-fi@ktr.com

### France

KTR France S.A.R.L.  
46 – 48 Chemin de la Bruyère  
F-69570 Dardilly  
Phone: +33 478 64 54 66  
Fax: +33 478 64 54 31  
E-mail: ktr-fr@ktr.com

### Great Britain

KTR Couplings Ltd.  
Robert House  
Unit 7, Acorn Business Park  
Woodseats Close  
Sheffield,  
England, S8 0TB  
Phone: +44 11 42 58 77 57  
Fax: +44 11 42 58 77 40  
E-mail: ktr-uk@ktr.com

### India

KTR Couplings (India) Pvt. Ltd.,  
T-36 / 37 / 38, MIDC Bhosari,  
Pune 411 026  
India  
Phone: +91 20 27 12 73 22  
Fax: +91 20 27 12 73 23  
E-mail: ktr-in@ktr.com

### Italy

KTR Kupplungstechnik GmbH  
Sede senza rappresentanza stabile sul  
Territorio Nazionale,  
Via Fermi, 25  
I-40033 Casalecchio di Reno (BO)  
Phone: +39 051 613 32 32  
Fax: +39 02 700 37 570  
E-mail: ktr-it@ktr.com

### Japan

KTR Japan Co., Ltd.  
3-1-23 Daikaidori  
Hyogo-ku, Kobe-shi  
652-0803 Japan  
Phone: +81 7 85 74 03 13  
Fax: +81 7 85 74 03 10  
E-mail: ktr-jp@ktr.com

### KTR Japan - Tokyo Office

1-11-6, Higashi-Ueno, Taito-Ku,  
Tokyo 110-0015 Japan  
(Takeno-building, 5F)  
Japan  
Phone: +81 3 58 18 32 07  
Fax: +81 3 58 18 32 08

### Korea

KTR Korea Ltd.  
# 101, 978-10, Topyung-Dong  
Guri-City, Gyeonggi-Do  
471-060 Korea  
Phone: +82 3 15 69 45 10  
Fax: +82 3 15 69 45 25  
E-mail: ktr-kr@ktr.com

### Netherlands

KTR Benelux B. V.  
Postbus 87  
NL-7550 AB Hengelo (O)  
Adam Smithstraat 37  
NL-7559 SW Hengelo (O)  
Phone: +31 74 2505526  
Fax: +31 74 2502466  
E-mail: ktr-nl@ktr.com

### Norway

KTR Kupplungstechnik Norge AS  
Fjellbovegen 13  
N-2016 Frogner  
Phone: +47 64 83 54 90  
Fax: +47 64 83 54 95  
E-mail: ktr-no@ktr.com

### Poland

KTR Polska SP. Z. O. O.  
ul. Czerwone Maki 65  
PL – 30-392 Kraków  
Phone: +48 12 267 28 83  
Fax: +48 12 267 07 66  
E-mail: ktr-pl@ktr.com

### Portugal

KTR Kupplungstechnik GmbH  
c) Estartetxe, nº 5 – Oficina 218  
E-48940 Leioa (Vizcaya)  
Phone: +34 9 44 80 39 09  
Fax: +34 9 44 31 68 07  
E-mail: ktr-es@ktr.com

### Russia

KTR Privodnaya tehnika, LLC  
Sverdlovskaya Naberezhnaya 60,  
Litera A, Office 1-N  
195027 St. Petersburg  
Russia  
Phone: +7 812 495 62 72  
Fax: +7 812 495 62 73  
E-mail: mail@ktr.ru  
Internet: www.ktr.ru

### Spain

KTR Kupplungstechnik GmbH  
c) Estartetxe, nº 5 – Oficina 218  
E-48940 Leioa (Vizcaya)  
Phone: +34 9 44 80 39 09  
Fax: +34 9 44 31 68 07  
E-mail: ktr-es@ktr.com

### Sweden

KTR Sverige AB  
Box 742  
S - 191 27 Sollentuna  
Phone: +46 86 25 02 90  
Fax: +46 86 25 02 99  
E-mail: info.se@ktr.com

### Switzerland

KTR Kupplungstechnik AG  
Bahnstr. 60  
CH - 8105 Regensdorf  
Phone: +41 4 33 11 15 55  
Fax: +41 4 33 11 15 56  
E-mail: ktr-ch@ktr.com

### Taiwan

KTR Taiwan Ltd.  
1 F, No.: 17, Industry 38 Road  
Taichung Industry Zone  
Taichung  
Taiwan, R. O. C.  
Phone: +886 4 23 59 32 78  
Fax: +886 4 23 59 75 78  
E-mail: j.wu@ktr.com

### USA

KTR Corporation  
122 Anchor Road  
Michigan City, Indiana 46360  
USA  
Phone: +1 2 19 8 72 91 00  
Fax: +1 2 19 8 72 91 50  
E-mail: ktr-us@ktr.com

**KTR Kupplungstechnik GmbH**

P.O. Box 1763

D-48407 Rheine

Phone: +49(0)5971 798-0

Fax: +49(0)5971 798-698 and 798-450

E-mail: [mail@ktr.com](mailto:mail@ktr.com)

Internet: [www.ktr.com](http://www.ktr.com)

**Made for Motion**

